

Glass Froster & Plate Chiller

ITEM: 50073 50113 50074
MODEL: FR-CN-0660-PC FR-CN-0915-PC FR-CN-1270-PC

Efficient chilling for glassware and plates

Providing ample space to cool salad plates and chill drink glasses, these chillers are perfect for restaurants seeking to prolong the optimal serving conditions on beverages and cold dishes.

- Ample interior space
- Stainless steel sliding door allows easy access and comes with a lock to prevent tampering
- Digital temperature controller makes adjustments easy
- Easy service access to coils

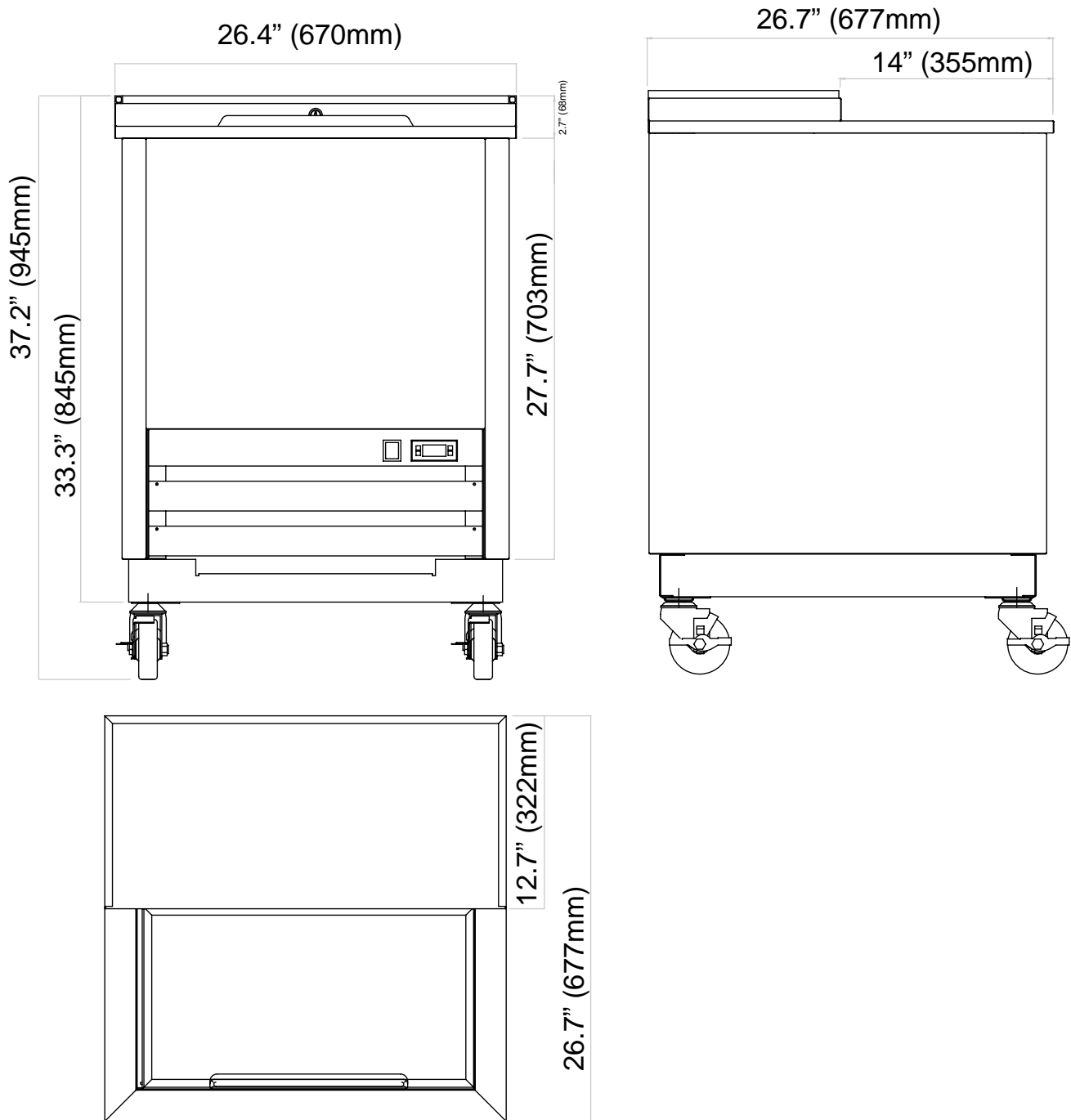


TECHNICAL SPECIFICATION

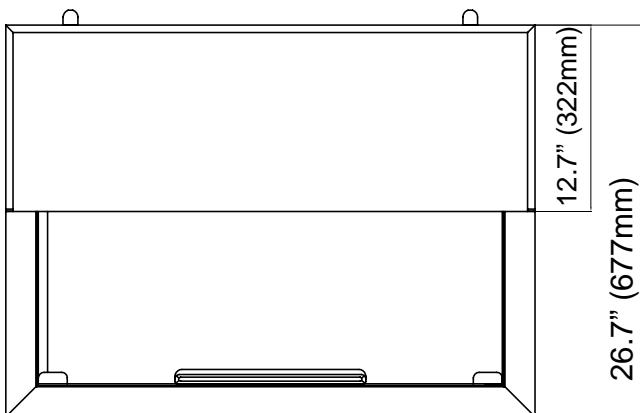
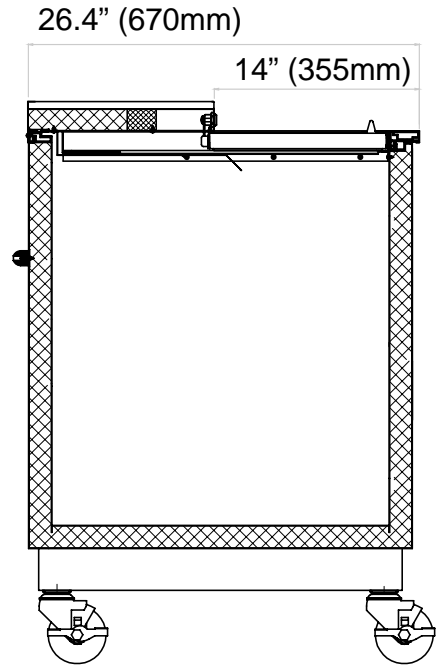
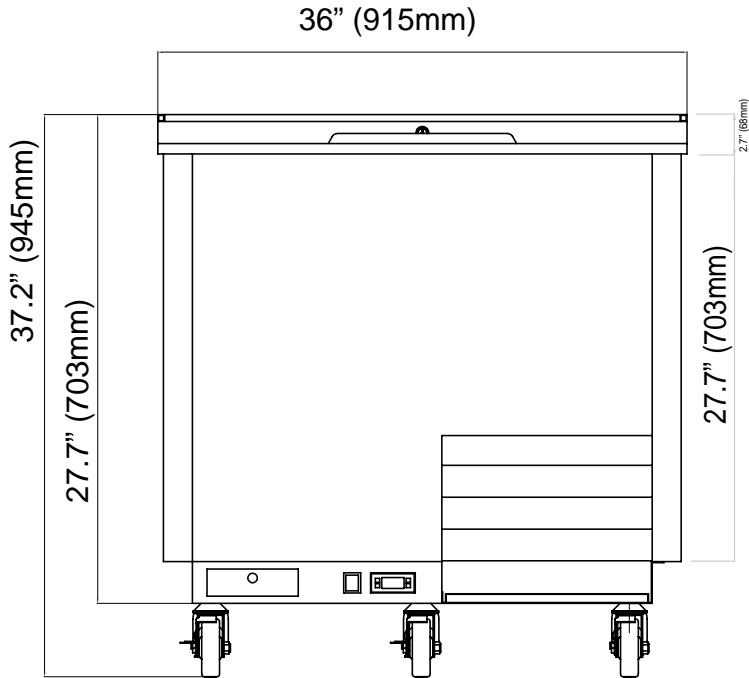
	26" 1 Door	36" 1 Door	50" 2 Doors
Item	50073	50113	50074
Model	FR-CN-0660-PC	FR-CN-0915-PC	FR-CN-1270-PC
Temperature Range	0°F to 5°F (-17.7°C to -15°C)		
Refrigerant	R290		
Isolation Material	Cyclopentane		
Defrost	Automatic		
Cooling System	Forced Air / Ventilated		
Capacity: (8" Mugs)	90	165	250
Capacity: (10 oz steins)	85	155	240
Internal Net Volume	5.3 cu ft (150 L)	8.5 cu ft (240 L)	14.2 cu ft (400 L)
Shelves	2	5	5
Power	1/5 HP	1/3 HP	1/4+ HP
Electricals	115V / 60 Hz/ 1ph		
Net Dimensions (WDH)	26.4" x 26.7" x 34.2" (670 x 677 x 869 mm)	36" x 26.7" x 34.2" (1199 x 677 x 869 mm)	49.5" x 26.7" x 34.2" (1257 x 677 x 869 mm)
Shipping Dimensions (WDH)	32.7" x 32.7" x 41.8" (830 x 830 x 1060 mm)	41.5" x 32.7" x 41.8" (1270 x 830 x 1060 mm)	55.9" x 32.7" x 41.8" (1420 x 830 x 1060 mm)
Net Weight	154 lb (70 kg)	158 lb (71.6 kg)	220 lb (100 kg)
Shipping Weight	176 lb (80 kg)	198 lb (90 kg)	253 lb (115 kg)

*Dimensions rounded up to the nearest tenth inch or millimeter.
Specifications subject to change without notice.*

TECHNICAL DRAWING (50073)



TECHNICAL DRAWING (50113)



TECHNICAL DRAWING (50074)

