

TURBO REFRIGERATOR MANUFACTURER
Turbo air
 more durable, efficient, beautiful

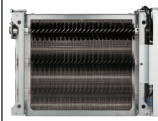
4184 E. Conant St.
 Long Beach, CA 90808
 Tel. 310-900-1000
 Fax. 310-900-1077
www.turboairinc.com

Project:	
Model #:	
Item #:	
Available W/H:	Qty:
Approval:	
AIA #:	SIS #:
CSI Section 11400	

Horizontal Open Display Cases

*Slim Line
Glass Side Panel*

Patented Self-Cleaning Condenser



This product is equipped with a fine mesh filter to the front of the condenser to catch dust, and a rotating brush that moves up and down daily to remove excess buildup outward and away.

Model : TOM-40SS-N



TOMD-HS
 Top display dry case
 available (optional)



≡ FEATURES & BENEFITS ≡

▪ Self-Cleaning Condenser

The accumulation of dust in the condenser can cause the failure or breakdown of refrigerators. Refrigerators run normally until they reach a certain level of accumulation. At some point, when they are over the limit, their performance drops quickly resulting in damage to, or disposal of the stored products inside. The Self-Cleaning Condenser device keeps the condenser clean and prevents system failure by automatically brushing daily.

▪ Hydrocarbon refrigerants (R-290)

With innovative and eco-friendly technology, Turbo Air brings you hydrocarbon refrigerators designed to meet DOE's Energy Conservation Standards in 2017 and to use EPA's SNAP Program approved HC refrigerants. Hydrocarbon refrigerants do not deplete the ozone layer and have very low contribution to global warming (ODP-0, GWP-3).

▪ Modern design

By integrating great contours with durable structures, our modern style product designs are user-friendly while maintaining the highest product visibility and aesthetics. Safety reinforced tempered glass front shield and side walls optimize the merchandiser's display effects of fresh salads, sandwiches, desserts and beverages. Its elegant contemporary euro design will enhance any store application. Ideal for eye-catching displays and convenient access with fast service in high traffic areas.

▪ Standard back-guard improves airflow

▪ 300 series stainless steel interior standard including back wall and deck pans

▪ Stainless steel solid shelves standard

▪ Perforated interior back wall & top for improved air flow

▪ Foamed with polyurethane, high-density cell insulation (CFC free)

▪ Front air intake and rear air discharge

▪ Stainless steel exterior and interior

▪ 8 week lead time applies




Model	CU./FT.	# of Bottom Shelves	HP	AMPS	Crated Weight (lbs.)	L x D x H (inches)
TOM-40SS-N	6.7	3	3/4	6.9	440	39 x 34 5/8 x 41 1/2

Horizontal Open Display Cases

Slim Line
Glass Side Panel

Model : TOM-40SS-N

ELECTRICAL DATA	
Voltage	115/60/1
Plug Type	 NEMA 5-15P
Full Load Amperes	6.9
Compressor HP	3/4
Refrigerant	R-290
DIMENSIONAL DATA	
Net Capacity (cu. ft.)	6.7
Ext. Length Overall (in.)	39 (991mm)
Ext. Depth Overall (in.)	34 5/8 (880mm)
Ext. Height Overall (in.)	41 1/2 (1054mm)
Int. Length Overall (in.)	36 5/8 (931mm)
Int. Depth Overall (in.)	24 (610mm)
Int. Height Overall (in.)	13 (330mm)
# of Bottom Shelves	3
Shelf Size (L x D)(in.)	36 1/2 x 7 (Top)
	36 1/2 x 14 (Middle)
	36 1/2 x 9 1/8 (Low)
Power Cord Length (in.)	59 1/8
Net Weight (lbs.)	313
Gross Weight (lbs.)	440

Design and specifications subject to change without notice.
Actual shipping weight may differ due to extra packing materials for product protection.

■ **WARRANTY : 2 Year Parts and Labor Warranty**
Additional 3 Year Warranty on Compressor

■ **STANDARD FEATURES**

- Simple plug-in installation
- Patented self-contained system, no plumbing required
- Solar powered digital thermometer
- Digital electronic thermostat with defrost control
- LED interior lighting
- 8 week lead time applies

■ **Recommended operating conditions**

TOM models are designed to operate in an environment where temperature & humidity do not exceed 80°F and 55% respectively. Units should not be installed near HVAC vents, fans or doorways that will disrupt the air curtain and compromise the function of the cabinet. Air curtain models will run most efficiently when completely loaded with product. When used as a built-in, required clearance for the rear is 4" and the top is 5".

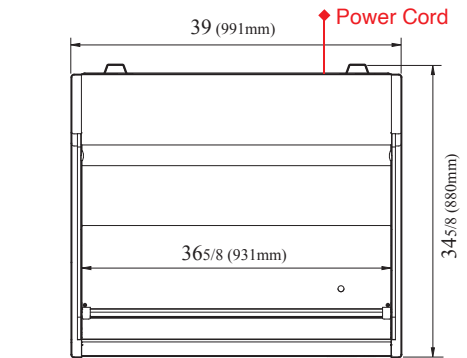
■ **OPTIONAL ACCESSORIES**

- 1.6" caster: CAS16WBT00 (non-brake)
- 4" caster, 1/2" diameter & 13 TPI: G8F6500101 (non-brake), G8F6500201 (w/ brake)
- 6" leveling seismic leg (1/2", 13 TPI): 30221M0700
- Top display dry cases: TOMD-40LS (Low), TOMD-40HS (High)
- Night cover: NCT-40-W (White), NCT-40-B (Black)
- * Night cover can not be used in conjunction with a TOMD dry case.
- Security cover: SCW-40SB

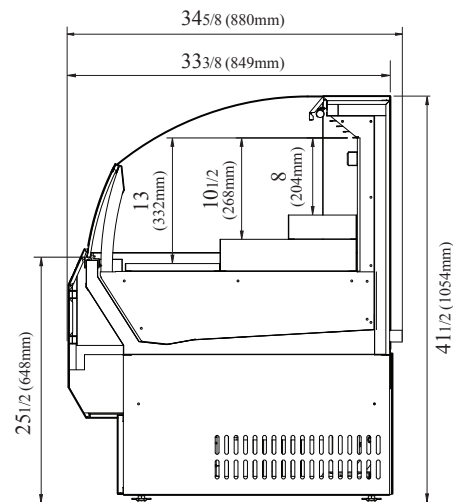
Ver.20201221

PLAN VIEW

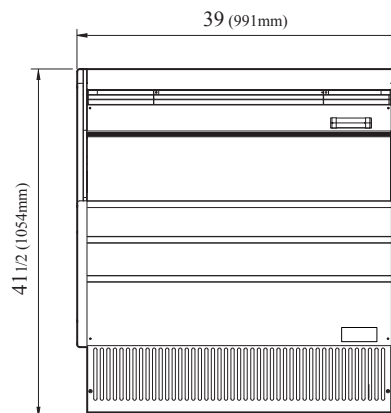
(unit : inch)



TOP VIEW



SIDE VIEW



FRONT VIEW

NATURAL Refrigerant



- Turbo Air : 800-627-0032
- GK : 800-500-3519
- Warranty : 800-381-7770
- AC : 888-900-1002

TURBO air REFRIGERATOR MANUFACTURER

GERMAN KNIFE

RADIANCE

TURBO air REFRIGERATION SYSTEM

TEXAKING

Continued product development may necessitate specification changes without notice.