



SERVING THE FOOD INDUSTRY SINCE 1951

## Refrigerated Self Service Display Case Square Countertop, Black

ITEM:  
MODEL:

48564  
RE-CN-185B

48565  
RE-CN-255B

48566  
RE-CN-325B



### A Luxury, Modern Display Perfect For Frontal Viewing.

A perfect display case for luxury baked goods, desserts, and deli sandwiches for being viewed from the front.

Ideal for displaying a selection of your best items for emphasis, this luxurious display is sure to attract attention and add value to your items.

- Luxurious design
- Unobstrusive view of individual items
- Silent operation
- Low energy usage

Telephone: 1-800-465-0234

Fax: (905) 607-0234

Email: sales@omcan.com

Website: www.omcan.com



Authorized Dealer



Made in China

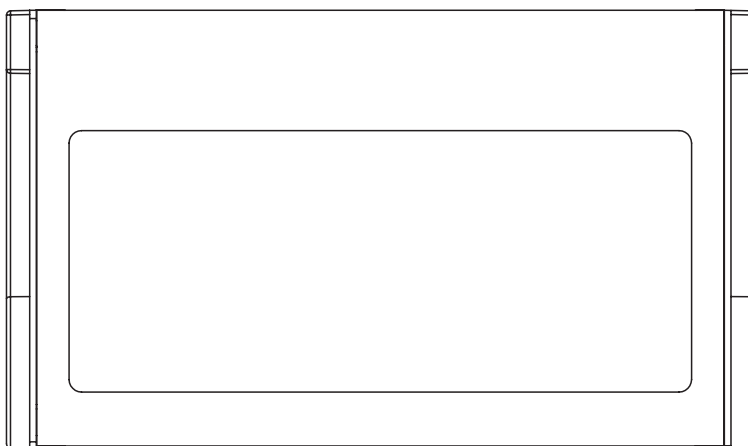
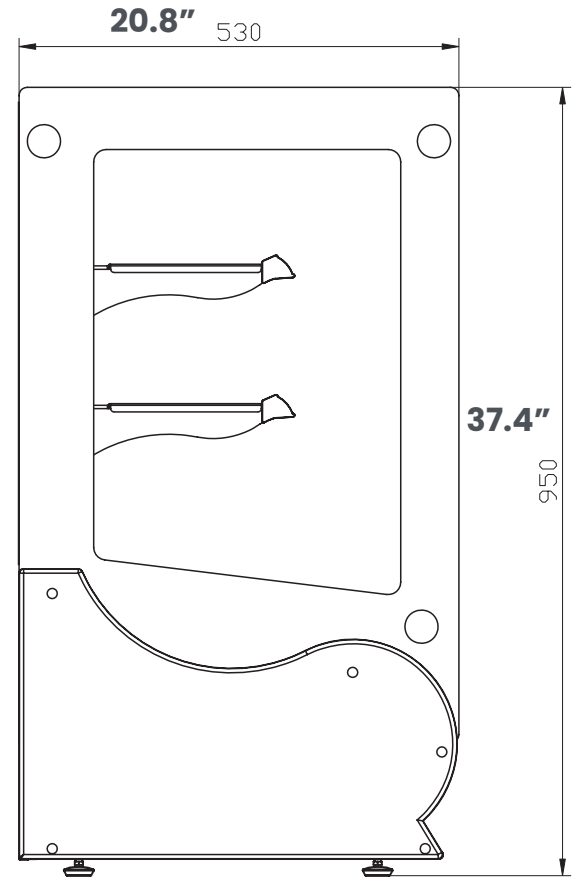
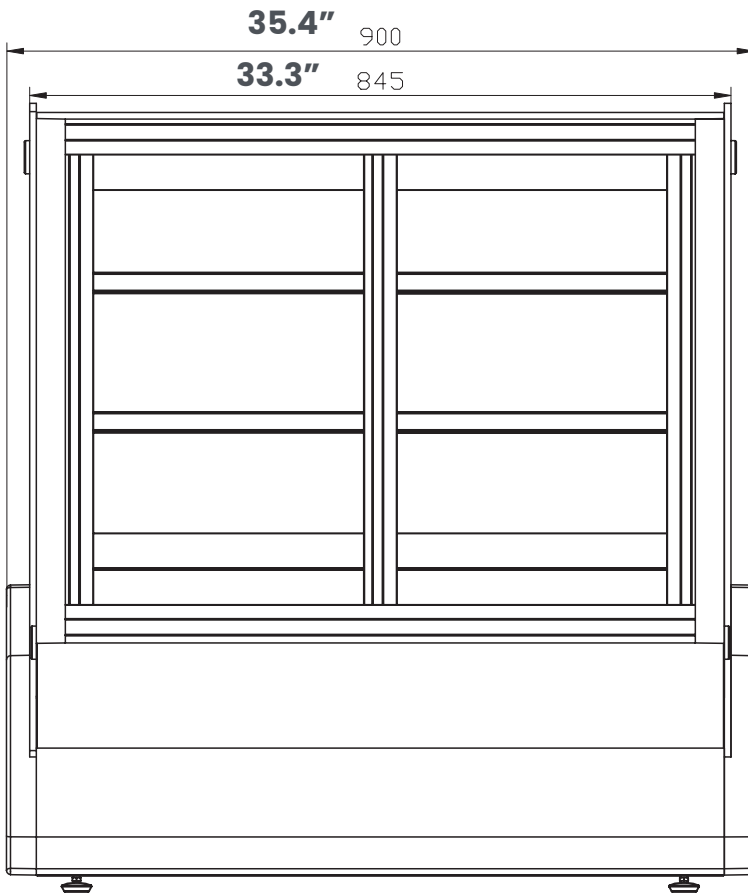
(Updated: 2025.08.18js)

Page 1 / 5

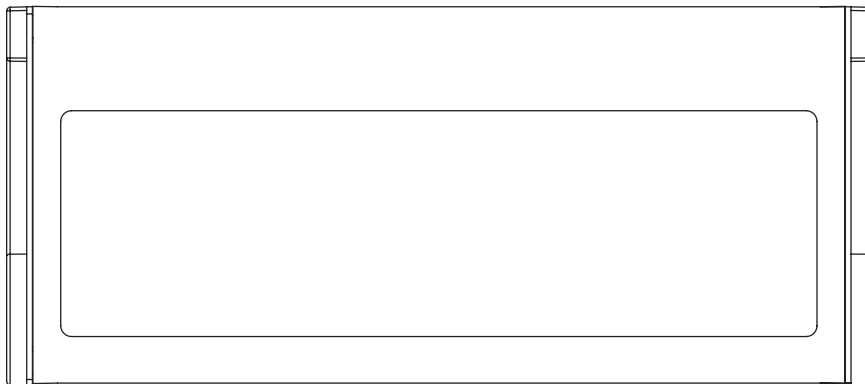
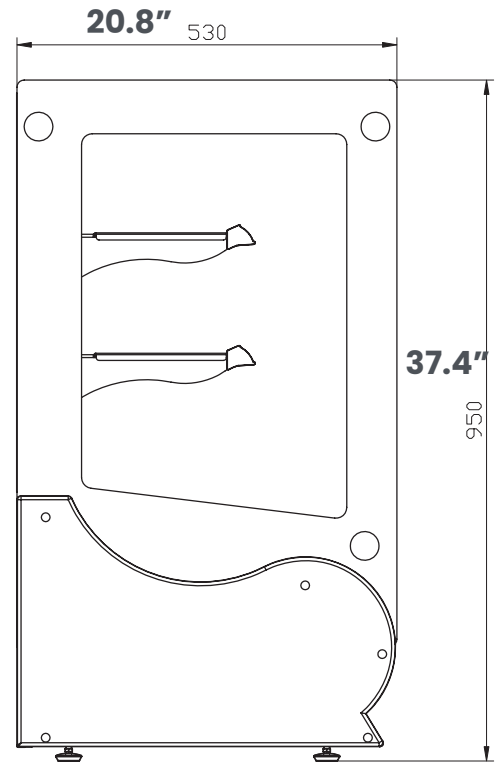
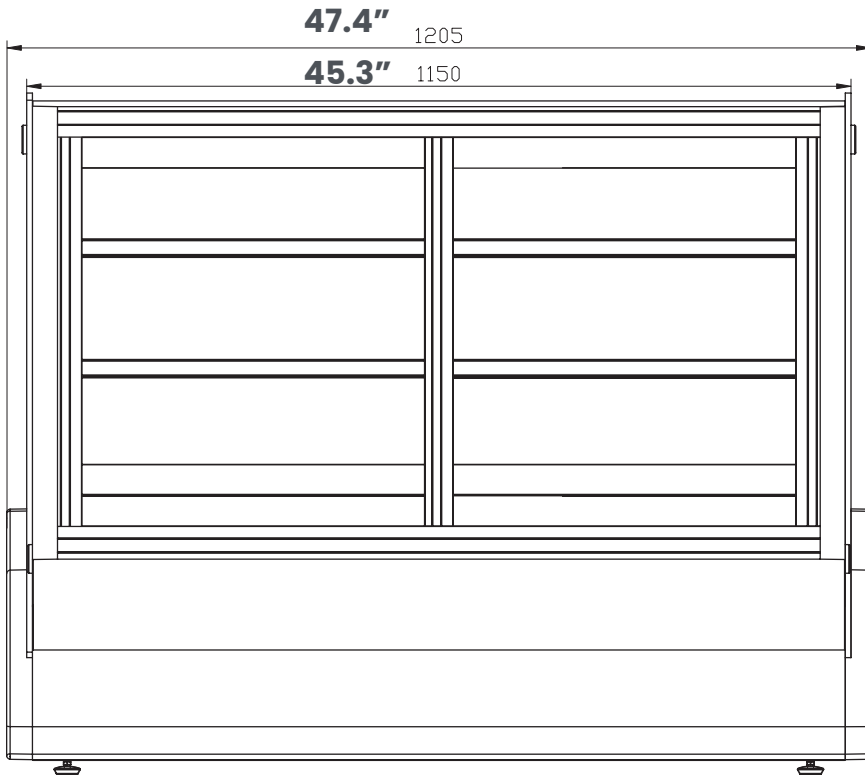
| TECHNICAL SPECIFICATION   | 36"                                  | 48"                                   | 60"                                   |
|---------------------------|--------------------------------------|---------------------------------------|---------------------------------------|
| Item                      | 48564                                | 48565                                 | 48566                                 |
| Model                     | RE-CN-185B                           | RE-CN-255B                            | RE-CN-325B                            |
| Capacity                  | 6.5 cuft. (185 L)                    | 9 cuft. (255 L)                       | 11.5 cuft. (325 L)                    |
| Shelf Dimensions          | 31" x 10"<br>(778x255 mm)            | 43"x 10"<br>(1083x255 mm)             | 55" x 10"<br>(1388x255 mm)            |
| Shelf Material            | Glass Drawer                         |                                       |                                       |
| Interior Material         | Glass / Stainless Steel              |                                       |                                       |
| Exterior Material         | Glass / Stainless Steel              |                                       |                                       |
| Temperature Range         | 32-53.6 °F (0-12 °C)                 |                                       |                                       |
| Power                     | 275 W                                | 305 W                                 | 400 W                                 |
| Current                   | 2.85 A                               | 3.1 A                                 | 4 A                                   |
| Electricals               | 110-120 V / 60 Hz / 1 Ph             |                                       |                                       |
| Internal Dimensions (WDH) | 32" x 17" x 22"<br>(800x415x560 mm)  | 44" x 17" x 22"<br>(1105x415x560 mm)  | 56" x 17" x 22"<br>(1410x415x560 mm)  |
| Net Dimensions (WDH)      | 36" x 21" x 38"<br>(900x530x950 mm)  | 48" x 21" x 38"<br>(1205x530x950 mm)  | 60" x 21" x 38"<br>(1510x530x950 mm)  |
| Gross Dimensions (WDH)    | 38" x 24" x 44"<br>(966x610x1118 mm) | 50" x 24" x 44"<br>(1270x610x1118 mm) | 62" x 24" x 44"<br>(1575x605x1120 mm) |
| Net Weight                | 227 lb. (103 kg.)                    | 298 lb. (135 kg.)                     | 340 lb. (154 kg.)                     |
| Gross Weight              | 300 lb. (136 kg.)                    | 370 lb. (168 kg.)                     | 421 lb. (191 kg.)                     |

*Dimensions rounded up to the nearest tenth inch or millimeter.  
Specifications subject to change without notice.*

## TECHNICAL DRAWING (48564)



## TECHNICAL DRAWING (48565)



## TECHNICAL DRAWING (48566)

