



Serving the Food Industry Since 1951

Countertop Electric Pasta Cooker, 4 L Capacity

ITEM: 43557
MODEL: RE-CN-0002-B

Compact, Efficient, Easy-To-Use

Built for efficiency and convenience, this durable countertop pasta cooker is easy to fit anywhere in your kitchen due to its compact size and easy-to-meet power requirements. Operation is simple, and cleaning is easy. Great for small batch pastas, noodles, and vegetable blanching.

- Stainless steel build
- 4 L capacity
- 2 baskets included
- Non-slip rubber feet



Telephone: 1-800-465-0234

Fax: (905) 607-0234

Email: sales@omcan.com

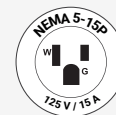
Website: www.omcan.com

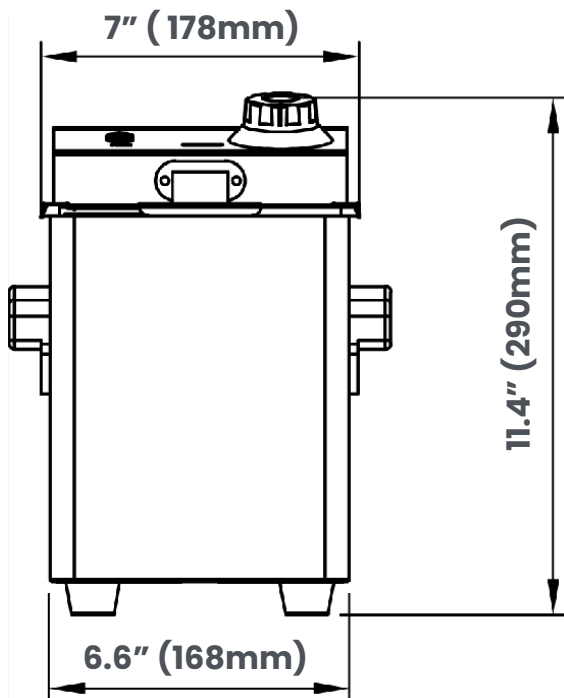
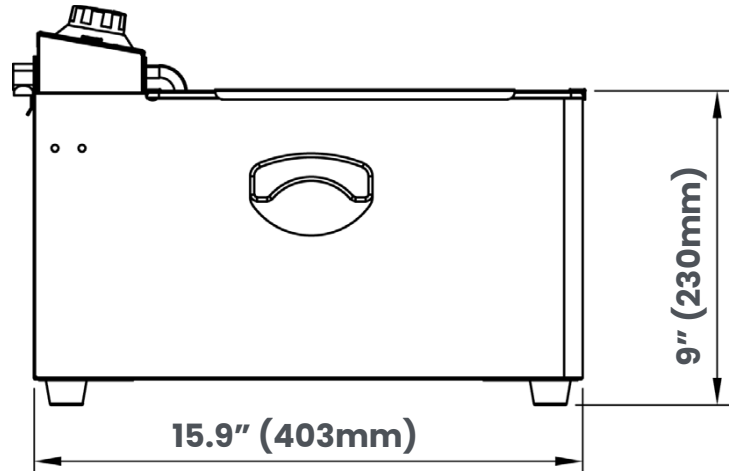
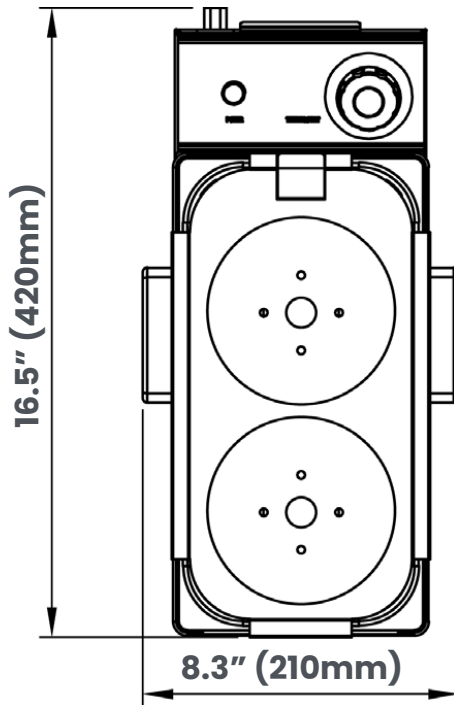


Authorized Dealer



Made in China





TECHNICAL SPECIFICATION

Item	43557
Model	RE-CN-0002-B
Capacity	4 L
Number of Baskets	2
Basket Dimensions	Diameter: 5" (128 mm) Height: 4.5" (115 mm) Over-all Height with Handle: 13" (330 mm)
Max Temperature	230°F (110°C)
Power	1.2 kW
Electricals	120 V / 60 Hz / 1 Ph
Net Dimensions	8.26" x 16.5" x 11.4" (210 x 420 x 290 mm)
Net Weight	0.7 lb (4.85 kg)

*Dimensions rounded up to the nearest tenth inch or millimeter.
Specifications subject to change without notice.*