



SERVING THE FOOD INDUSTRY SINCE 1951

28" Countertop Display Warmer with Front & Rear Hinged Doors

ITEM: 41872 41873
 MODEL: DW-CN-0080-L DW-CN-0115L



41873
115 L / 3 Shelves



41872
80 L / 2 Shelves

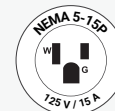
Keep your food warm, fresh, and ready to serve.

Omcans display warmers are designed to keep your products fresh, warm, and ready to serve. Ideal for convenience stores, cafés, and small delis, these units combine durability and style with a stainless steel construction that ensures long-lasting performance. The front and rear hinged glass doors provide easy access from either side, while also giving customers a clear view of the products inside.

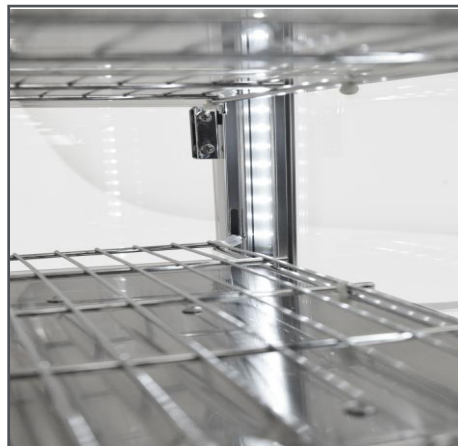
Equipped with fixed chrome-plated shelves, an adjustable temperature controller, and bright interior LED lighting, these warmers deliver consistent heat and excellent product visibility. Their reliable design makes them a practical solution for showcasing hot food items while maintaining the perfect serving temperature.

FEATURES:

- Fixed chrome plated shelves
- Stainless steel construction
- Front & Rear hinged glass doors
- Adjustable temperature controller
- Interior LED lighting

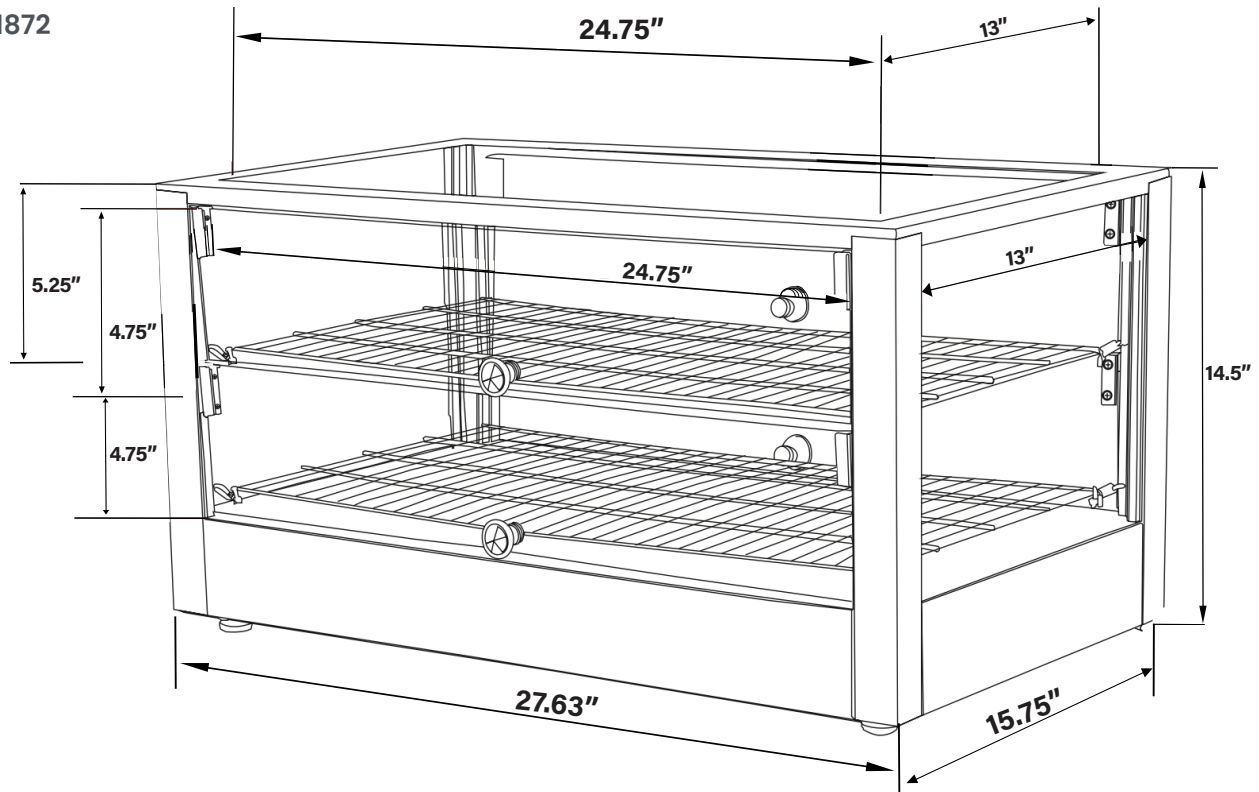


TECHNICAL SPECIFICATION		
Features	28" / 2 Front & 2 Rear Hinged Doors	28" / 3 Front & 3 Rear Hinged Doors
Item	41872	41873
Model	DW-CN-0080-L	DW-CN-0115L
Capacity	80 L / 2.82 cu.ft.	115 L / 4.06 cu.ft.
Number of Doors	2 Front & 2 Rear Hinged Doors	3 Front & 3 Rear Hinged Doors
Number of Shelves	2 Shelves	3 Shelves
Shelf Dimensions	10.4" x 13.4" / 263 x 341 mm	10.4" x 13.4" / 263 x 341 mm
Shelf Material	Chrome Plated	
Power	1000 W	1250 W
Lamp Power	8 W	8 W
Current	8.6 A	11.2 A
Electrical	110V / 60Hz	
Temperature Range	30 - 90°C / 86 - 194°F	
Insulation Material	IPX4	
Interior Dimensions (WDH)	27" x 14" x 10" / 681 x 363 x 265 mm	27" x 14" x 15.5" / 681 x 363 x 395 mm
Net Weight	35.7 lbs / 16.4 kgs	43.4 lbs / 19.7 kgs
Net Dimensions (WDH)	27.6" x 15.7" x 14.8" / 700 x 400 x 376 mm	27.6" x 15.7" x 19.7" / 700 x 400 x 500 mm
Gross Weight	57 lbs / 26 kgs	66 lbs / 30 kgs
Gross Dimensions (WDH)	30.8" x 19" x 16.6" / 782 x 482 x 422 mm	30.8" x 19" x 21.6" / 782 x 482 x 548 mm
Plug Type	NEMA 5-15P	



TECHNICAL DRAWING

Item: 41872



Item: 41873

