



SERVING THE FOOD INDUSTRY SINCE 1951

Electric Steam Tables, Single Tank with Cabinet

ITEM:	49020	49021	48790
MODEL:	FW-CN-0003-C	FW-CN-0004-C	FW-CN-0005-C

49020 - 44"



49021 - 58"



48790 - 72"



Durable, Convenient, and Easy to Clean

Perfect for assisted serving in cafeterias, buffets, and catering events, these steam tables come with a polycarbonate cutting board as well as extra storage compartments on the cutting board/control panel side. Great for on demand food service.

- Does not require spillage pan
- Single connected large water reservoir
- Attached cutting board
- Simple temperature adjustment

Telephone: 1-800-465-0234

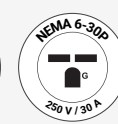
Fax: (905) 607-0234

Email: sales@omcan.com

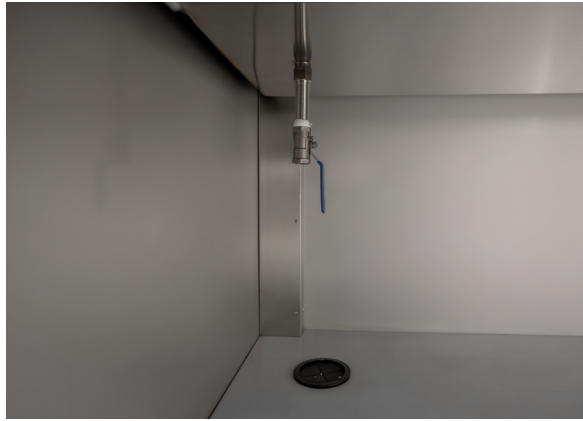
Website: www.omcan.com



Authorized Dealer



Made in China



TECHNICAL SPECIFICATION

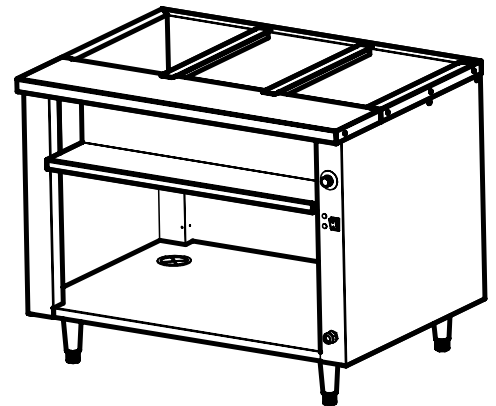
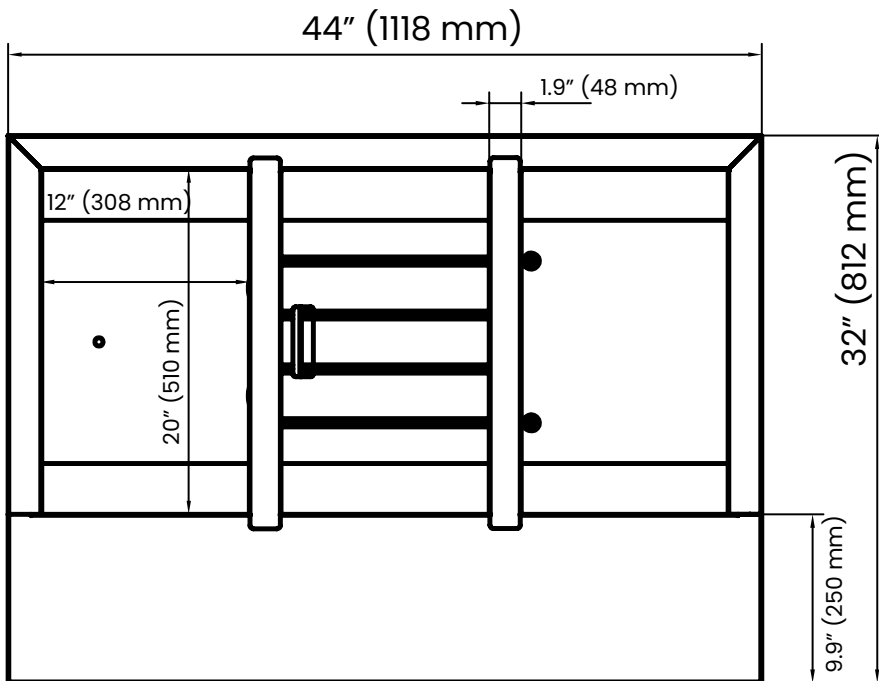
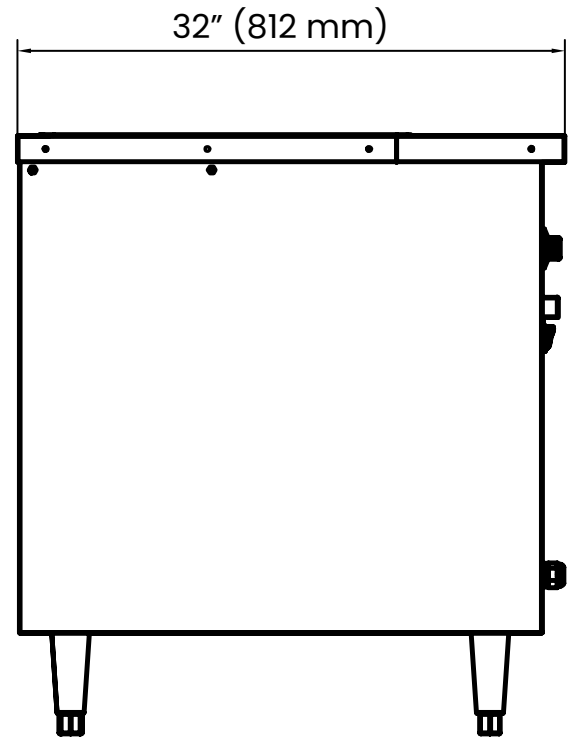
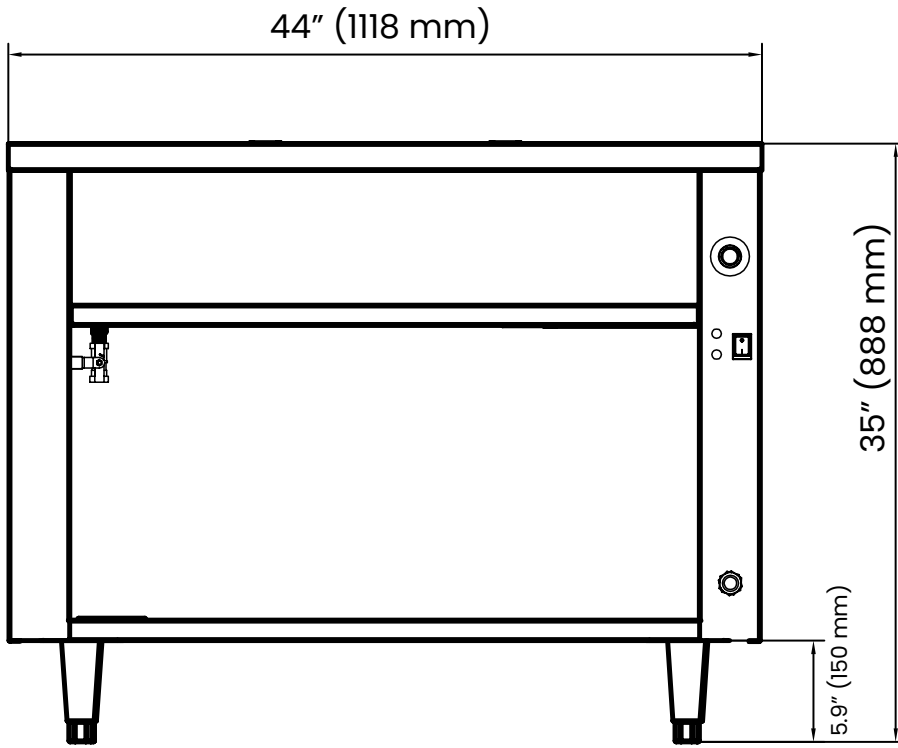
Features	44" 3 Pan	58" 4 Pan	72" 5 Pan
Item	49020	49021	48790
Model	FW-CN-0003-C	FW-CN-0004-C	FW-CN-0005-C
Max Temperature	203°F (95°C)		
Pan Type	Full Size GN		
Pan Capacity	3	4	5
Power	4000 W		
Amperage	16.7 A		
Electricals	240 V / 60Hz / 1 Ph		
Net Dimensions (WDH)	44" x 32" x 35" (1118 x 811 x 888 mm)	58" x 32" x 35" (1472 x 811 x 888 mm)	72" x 32" x 35" (1828 x 811 x 888 mm)
Shipping Dimensions (WDH)	45" x 32" x 36" (1148 x 890 x 900 mm)	59" x 35" x 36" (1504 x 890 x 900 mm)	74" x 35" x 36" (1860 x 890 x 900 mm)
Net Weight	132 lb (60 kg)	165 lb (75 kg)	200 lb (91 kg)
Shipping Weight	194 lb (88 kg)	247 lb (112 kg)	301 lb (137 kg)

ACCESSORIES (For GN pans, please see last page)

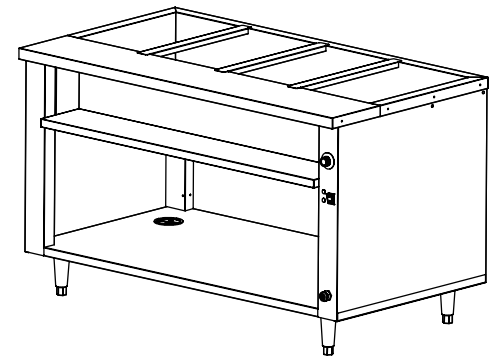
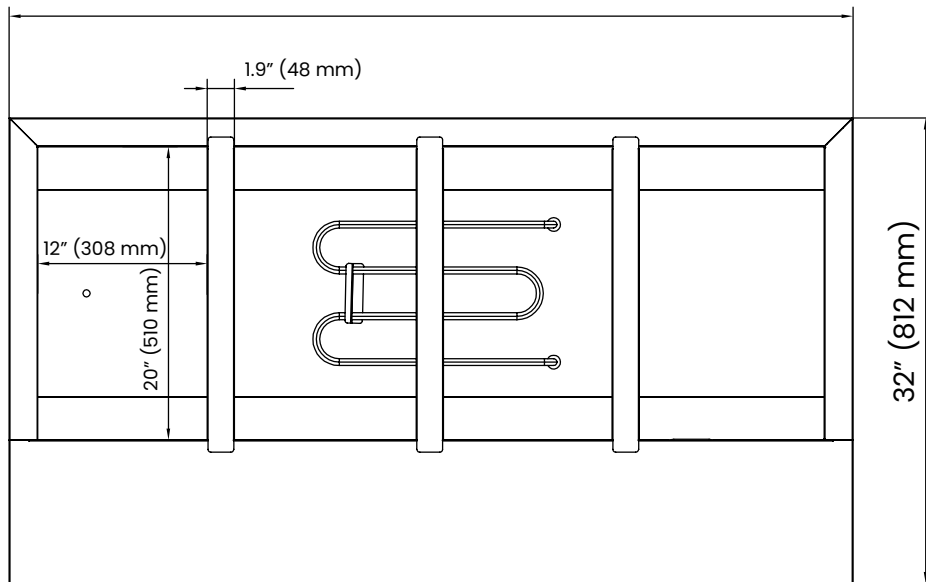
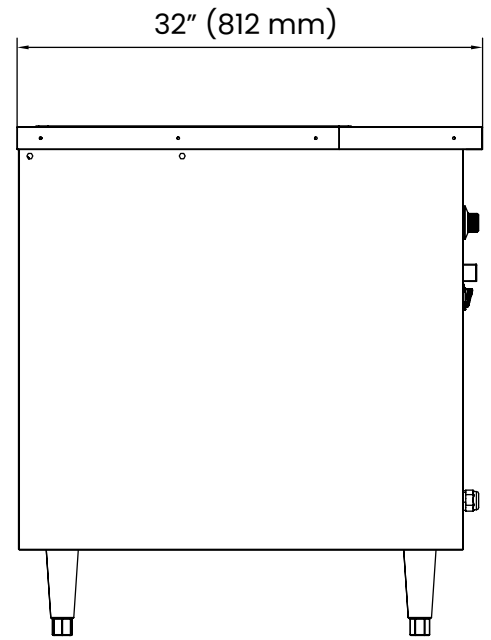
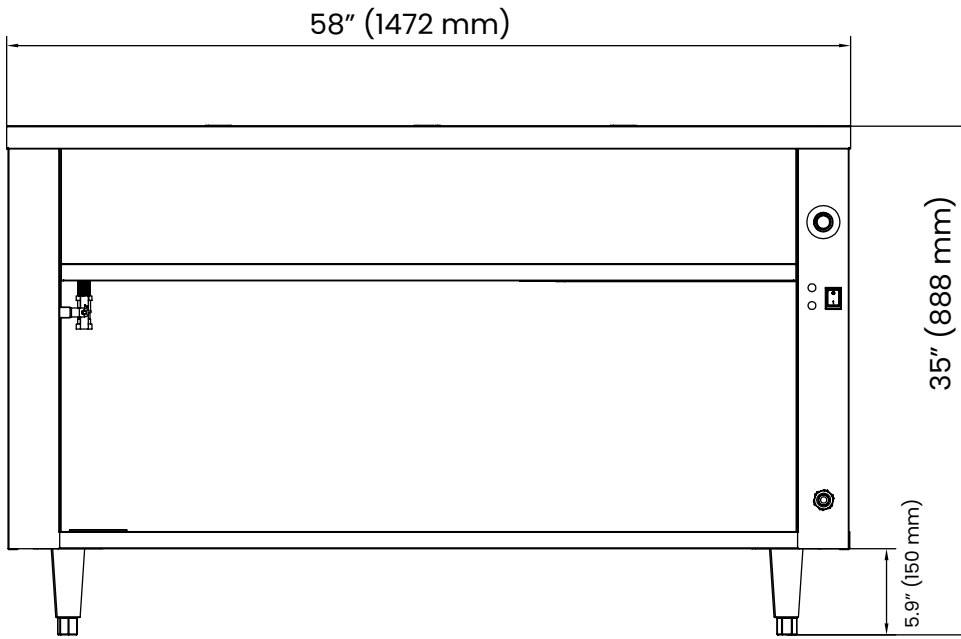
Item	44" 3 Pan	58" 4 Pan	72" 5 Pan
Roll Top Cover	81124		
Sneeze Guard	47022	47023	47024
Overshelf	47018	47019	47020
5" Caster (w/Brake)	14395		
5" Caster (No Brake)	47599		



TECHNICAL DRAWING (49020)



TECHNICAL DRAWING (49021)



TECHNICAL DRAWING (48790)

