

Aurora Undercounter Freezers, Stainless Steel

ITEM: 59053
MODEL: FR-CN-0686E-HC

59055
FR-CN-1219E-HC

59092
FR-CN-1529E-HC



27" wide
59053



48" wide
59055

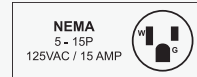
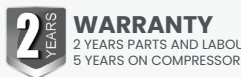
60" wide
59092

The perfect solution to add cold storage space for frozen products and ingredients conveniently within reach.

This undercounter freezer is perfect for cold food storage operations while saving space. Slide it under a counter or work table to utilize its space for storing chilled items. Its durable stainless steel construction is designed to endure frequent use, and its user-friendly controls reduce the time spent adjusting and monitoring settings for peak performance. Additionally, it uses Hydro-carbon R290 refrigerant, which is environmentally friendly and more efficient.

FEATURES:

- Stainless steel interior and exterior
- Refrigeration system keeps food at safe
- Self-closing doors with 90-degree stay-open feature
- Adjustable heavy-duty PVC coated shelves
- Digital control system makes it easy to adjust temperature set point and defrost frequency
- Hydro-carbon R290 refrigerant, which is environmentally friendly and more efficient

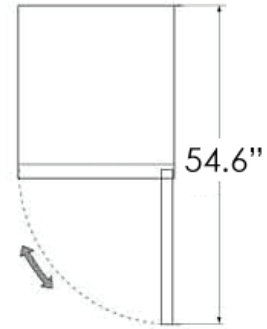
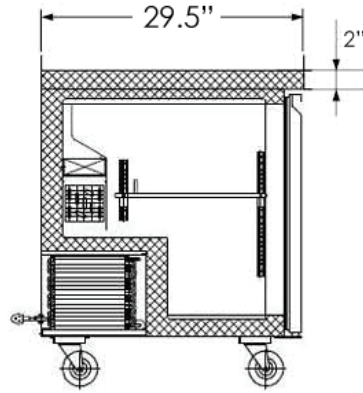
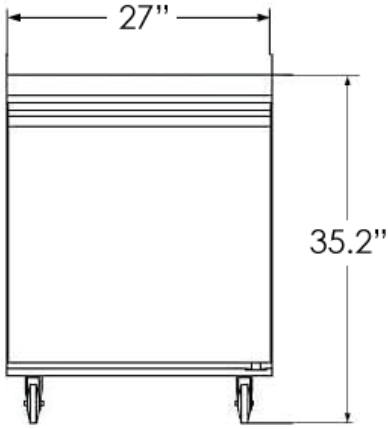


TECHNICAL SPECIFICATION

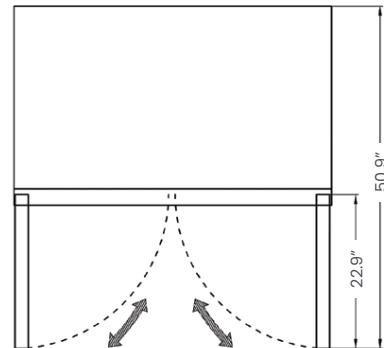
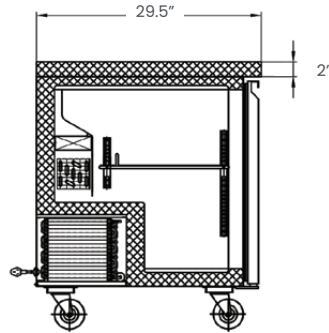
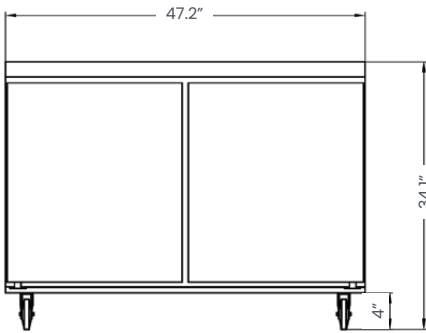
Features	27" wide with 6.3 cu.ft. (177 L) Capacity	48" wide with 11 cu. ft. (320 L) Capacity	60" wide with 15 cu. ft. (425 L) Capacity
Item	59053	59055	59092
Model	FR-CN-0686E-HC	FR-CN-1219E-HC	FR-CN-1529E-HC
Capacity	6.3 cu.ft. (177 L)	11.3 cu.ft (320 L)	15 cu. ft. (425 L)
Number of Doors	1 Swing Door - Solid Door	2 Swing Doors - Solid Doors	
Self-closing Door	Yes		
Number of Shelves	1	2	
Shelf Capacity (kg/pc)	44 lb. (20 kg.)	88lb. (40kg.)	
Shelf Material	Plastic Coated Steel		
Number of Casters	Yes (4)		
Power	1/6 hp	352 W	345 W
Amps	1.9 A	3.72 A	4.5 A
Electrical	110-120V / 60Hz / 1Ph		
Temperature Controller	Digital		
Temperature Range	-18 to -22°C (-0 to -8°F)		
Refrigerant:	R290		
Insulation Material	Cyclopentane		
Cooling System	Ventilated		
Defrosting	Automatic		
Interior Dimensions (WDH)	22.2" x 22.8" x 23.5" (565 x 580 x 597 mm)	42.6" x 19.8" x 23.5" (1083 x 504 x 597 mm)	55.6" x 19.84" x 23.5" (1413 x 504 x 597 mm)
Net Weight	169lb. (77 kg.)	214 lb. (97 kg.)	254 lb. (115 kg.)
Net Dimensions (WDH)	27" x 29.5" x 35.2" (685 x 750 x 895 mm)	47.2" x 29.5" x 35.2" (1200 x 750 x 895 mm)	60.2"x 29.5" x 38.8" (1529 x 750 x 985 mm)
Plug Type	NEMA 5-15P		

** This equipment is intended for indoor environment using where ambient temperature do not exceed 24°C(75°F) & 55% relative humidity*

TECHNICAL DRAWING



27" wide
59053

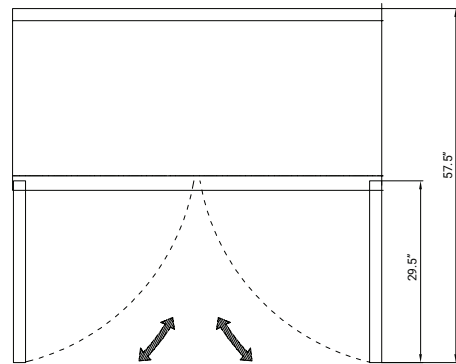
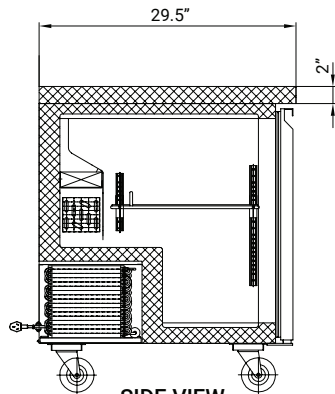
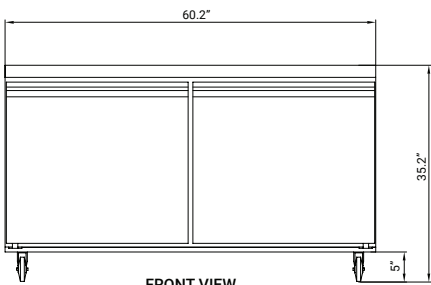


ELEVATION

SECTION VIEW

PLAN

48" wide
59055



FRONT VIEW

SIDE VIEW

TOP VIEW

60" wide
59092