

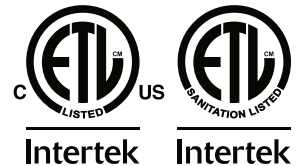


## Glass Door Refrigeration

Models RE-CN-305, 215, 145, 0810  
Items 47460, 47586, 47563, 48664  
**Instruction Manual**



*Revised - 10/02/2025*



Toll Free: 1-800-465-0234  
Fax: 905-607-0234  
Email: [service@omcan.com](mailto:service@omcan.com)  
[www.omcan.com](http://www.omcan.com)



# Table of Contents

Model RE-CN-305 / Model RE-CN-215  
Model RE-CN-145 / Model RE-CN-0810

---

<b>Section</b>	<b>Page</b>
Disclaimer -----	3
General Information -----	4 - 5
Safety and Warranty -----	5 - 9
Technical Specifications -----	10
Installation -----	10 - 11
Operation -----	11
Maintenance -----	12
Troubleshooting -----	12 - 13
Parts Breakdown -----	14 - 17
Electrical Schematics -----	18 - 19
Notes -----	20 - 22
Warranty Registration -----	23

*OMCAN IS NOT RESPONSIBLE FOR ANY DAMAGES DUE TO WATER LEAKS. WARRANTY FOR WATER LEAKS IS VOID IF THE AMBIENT ROOM TEMPERATURE EXCEEDS 75°F AND 55% RELATIVE HUMIDITY, AND THE APPLIANCE DRAIN IS NOT CONNECTED DIRECTLY TO A FLOOR DRAIN.*

---

*OMCAN N'EST PAS RESPONSABLE DES DOMMAGES DUS AUX FUITES D'EAU. LA GARANTIE POUR LES FUITES D'EAU EST ANNULÉE SI LA TEMPÉRATURE AMBIANTE DE LA PIÈCE DÉPASSE 75°F ET 55% D'HUMIDITÉ RELATIVE, ET SI LE DRAIN DE L'APPAREIL N'EST PAS RACCORDÉ DIRECTEMENT À UN DRAIN DE PLANCHER.*

---

*OMCAN NO SE HACE RESPONSABLE DE LOS DAÑOS CAUSADOS POR FUGAS DE AGUA. LA GARANTÍA POR FUGAS DE AGUA QUEDA ANULADA SI LA TEMPERATURA AMBIENTE SUPERA LOS 75°F Y EL 55% DE HUMEDAD RELATIVA, Y EL DESAGÜE DEL APARATO NO ESTÁ CONECTADO DIRECTAMENTE A UN DESAGÜE DE PISO.*

# General Information

---

Omcan Manufacturing and Distributing Company Inc., Food Machinery of America, Inc. dba Omcan and Omcan Inc. are not responsible for any harm or injury caused due to any person's improper or negligent use of this equipment. The product shall only be operated by someone over the age of 18, of sound mind, and not under the influence of any drugs or alcohol, who has been trained in the correct operation of this machine, and is wearing authorized, proper safety clothing. Any modification to the machine voids any warranty, and may cause harm to individuals using the machine or in the vicinity of the machine while in operation.

## CHECK PACKAGE UPON ARRIVAL

Upon receipt of an Omcan shipment please inspect for external damage. If no damage is evident on the external packaging, open carton to ensure all ordered items are within the box, and there is no concealed damage to the machine. If the package has suffered rough handling, bumps or damage (visible or concealed), please note it on the bill of lading before accepting the delivery and contact Omcan within 24 hours, so we may initiate a claim with the carrier. A detailed report on the extent of the damage caused to the machine must be filled out within three days, from the delivery date shown in the shipping documents. Omcan has no recourse for damaged products that were shipped collect or third party.

**Before operating any equipment, always read and familiarize yourself with all operation and safety instructions.**

Omcan would like to thank you for purchasing this machine. It's of the utmost importance to save these instructions for future reference. Also save the original box and packaging for shipping the equipment if servicing or returning of the machine is required.

---

**Omcan Fabrication et distribution Compagnie Limitée et Food Machinery d'Amérique, dba Omcan et Omcan Inc. ne sont pas responsables de tout dommage ou blessure causé du fait que toute personne ait utilisé cet équipement de façon irrégulière. Le produit ne doit être exploité que par quelqu'un de plus de 18 ans, saine d'esprit, et pas sous l'influence d'une drogue ou d'alcool, qui a été formé pour utiliser cette machine correctement, et est vêtu de vêtements de sécurité appropriés. Toute modification de la machine annule toute garantie, et peut causer un préjudice à des personnes utilisant la machine ou des personnes à proximité de la machine pendant son fonctionnement.**

## VÉRIFIEZ LE COLIS DÈS RÉCEPTION

Dès réception d'une expédition d'Omcan veuillez inspecter pour dommages externes. Si aucun dommage n'est visible sur l'emballage externe, ouvrez le carton afin de s'assurer que tous les éléments commandés sont dans la boîte, et il n'y a aucun dommage dissimulé à la machine. Si le colis n'a subi aucune mauvaises manipulations, de bosses ou de dommages (visible ou cachée), notez-le sur le bond de livraison avant d'accepter la livraison et contactez Omcan dans les 24 heures qui suivent, pour que nous puissions engager une réclamation auprès du transporteur. Un rapport détaillé sur l'étendue des dommages causés à la machine doit être rempli dans un délai de trois jours, à compter de la date de livraison indiquée dans les documents d'expédition. Omcan n'a aucun droit de recours pour les produits endommagés qui ont été expédiés ou cueillis par un tiers transporteur.

**Avant d'utiliser n'importe quel équipement, toujours lire et vous familiariser avec toutes les opérations et les**

# General Information

---

consignes de sécurité.

Omcan voudrais vous remercier d'avoir choisi cette machine. Il est primordial de conserver ces instructions pour une référence ultérieure. Également conservez la boîte originale et l'emballage pour l'expédition de l'équipement si l'entretien ou le retour de la machine est nécessaire.

Omcan Empresa De Fabricacion Y Distribucion Inc. Y Maquinaria De Alimentos De America, Inc. dba Omcan y Omcan Inc. no son responsables de ningun daño o perjuicio causado por cualquier persona inadecuada o el uso descuidado de este equipo. El producto solo podra ser operado por una persona mayor de 18 años, en su sano juicio y no bajo alguna influencia de droga o alcohol, y que este ha sido entrenado en el correcto funcionamiento de esta máquina, y ésta usando ropa apropiada y autorizada. Cualquier modificación a la máquina anula la garantía y puede causar daños a las personas usando la máquina mientras esta en el funcionamiento.

## REVISE EL PAQUETE A SU LLEGADA

Tras la recepcion de un envio Omcan favor inspeccionar daños externos. Si no hay daños evidentes en el empaque exterior, Habra el carton para asegurarse que todos los articulos solicitados estén dentro de la caja y no encuentre daños ocultos en la máquina. Si el paquete ha sufrido un manejo de poco cuidado, golpes o daños (visible o oculto) por favor anote en la factura antes de aceptar la entrega y contacte Omcan dentro de las 24 horas, de modo que podamos iniciar una reclamación con la compañía. Un informe detallado sobre los daños causados a la máquina debe ser llenado en el plazo de tres días, desde la fecha de entrega que se muestra en los documentos de envío. Omcan no tiene ningun recurso por productos dañados que se enviaron a recoger por terceros.

**Antes de utilizar cualquier equipo, siempre lea y familiarizarse con todas las instrucciones de funcionamiento y seguridad.**

Omcan le gustaría darle las gracias por la compra de esta máquina. Es de la mayor importancia para salvar estas instrucciones para futuras consultas. Además, guarda la caja original y el embalaje para el envío del equipo si servicio técnico o devolución de la máquina que se requiere.

# Safety and Warranty

---

## IMPORTANT SAFETY INSTRUCTIONS

1. The range of operating voltage: 97V~130V. In order to avoid damaging the electrical performance of the compressor, please equip with a voltage stabilizer appliance of power not less than 500W, to protect the cooler when the voltage is lower than 97V or higher than 130V.
2. Individual single-phase socket must be used. It should be reliably connected to a grounding wire.  
**Caution: the grounding wire is not allowed to connect to a water pipe or a gas pipe.**
3. Strong base, strong acid, organic solvent and corrosive goods or those are easy to pollute to food are

# Safety and Warranty

---

prohibited storing in the cooler; otherwise, it can cause corrosiveness or accident.

4. Don't raise the cooler or the shell of the electric parts, or it will cause the decline in insulation and cause corrosion.
5. When the cooler will be not be used for a long time, disconnect the power and clean it. Please examine the circuit whether it is ok before reuse.
6. If the supply cord is damaged, it must be replaced by a special cord or assembly available from the manufacturer or its service agent.
7. The appliance shall be disconnected from its power source during cleaning or maintenance and when replacing parts.
8. The A-weighted emission sound pressure level is below 60dB(A).
9. Do not store explosive substances such as aerosol cans with a flammable propellant inside the appliance.
10. Flammable blowing gas of the cooler should be handled according to local regulations. Before you scrap the appliance, please take off the doors to prevent children trapped.

## **CAUTION:**

1. Risk of fire / flammable materials, taking care to avoid causing a fire by igniting flammable material.
2. Keep clear of obstruction all ventilation openings in the appliance enclosure or in the structure for building-in.
3. Do not use mechanical devices or other means to accelerate the defrosting process, other than those recommended by the manufacturer.
4. Do not damage the refrigerant circuit.
5. Do not use electrical appliances inside the food storage compartments of the appliance, unless they are of the type recommended by the manufacturer.

## **WARNING**

1. Do not, under any circumstances, cut or remove the third ground prong from the power cord supplied. This appliance is not designed to be used with an inverter. The cord should be secured behind the appliance and not left exposed or dangling to prevent accidental injury.
2. Never unplug the cooler by pulling the power cord. Always grip the plug firmly and pull straight out from the receptacle.
3. Do not use an extension cord with this appliance. If the power cord is too short, have a qualified electrician or service technician install an outlet near the appliance. Use of an extension cord can negatively affect the performance of the unit.
4. Improper use of the grounded plug can result in the risk of electrical shock. If the power cord is damaged, have it replaced by an authorized service center.

## **CAUTION FOR SAFETY**

- Warning! Do not damage the cooling fluid circuit.
- Warning! Do not damage walls of the machine: the cooling fluid circuit may damage.
- Warning! Do not use electrical appliances inside the food storage compartments of the appliance, unless they are of the type recommended by the manufacturer.
- Warning! The equipment must not be used by persons (including children) whose physical, sensorial, or mental capacities are reduced, or who lack experience and know-how, unless they have been provided, by means of a person responsible for their safety, with suitable monitoring or instructions about the use of the

# Safety and Warranty

---

equipment. Children must be monitored to ensure they do not play with the equipment.

- Warning! Keep clear of obstruction all ventilation openings in the appliance enclosure or in the structure for building-in.
- Warning! The appliance shall be installed in accordance with national wiring regulations.
- Warning! Do not use means to accelerate the defrosting process or to clean, other than those recommended by the manufacturer.
- Warning! The appliance shall be stored in a well-ventilated area where the room size corresponds to the room area as specified for operation.
- Warning! The appliance shall be stored in a room without continuously operating open flames (for example an operating gas appliance) and ignition sources (for example an operating electric heater).
- Do not pierce or burn.
- Be aware that refrigerants may not contain an odor.
- Warning! The appliance shall be stored so as to prevent mechanical damage from occurring.
- Notice! Any person who is involved with working on or breaking into a refrigerant circuit should hold a current valid certificate from an industry-accredited assessment authority, which authorizes their competence to handle refrigerants safely in accordance with an industry recognized assessment specification.
- Notice! Servicing shall only be performed as recommended by the equipment manufacturer. Maintenance and repair requiring the assistance of other skilled personnel shall be carried out under the supervision of the person competent in the use of flammable refrigerants.
- Notice! Component parts shall be replaced with like components so as to minimize the risk of possible ignition due to incorrect parts. The appliance is to be installed in accordance with the safety.
- Notice! Any person who is involved with working on or breaking into a refrigerant circuit should hold a current valid certificate from an industry-accredited assessment authority, which authorizes their competence to handle refrigerants safely in accordance with an industry recognized assessment specification.
- Notice! Servicing shall only be performed as recommended by the equipment manufacturer. Maintenance and repair requiring the assistance of other skilled personnel shall be carried out under the supervision of the person competent in the use of flammable refrigerants.
- This appliance is not intended for use by persons (including children) with reduced physical, sensory or mental capabilities, or lack of experience and knowledge, unless they have been given supervision or instruction concerning use of the appliance by a person responsible for their safety.
- Children should be supervised to ensure that they do not play with the appliance.
- Please according to local regulations regarding disposal of the appliance for its flammable blowing gas. Before you scrap the appliance, please take off the doors to prevent children trapped.
- If the supply cord is damaged, it must be replaced by the manufacturer or its service agent or a similarly qualified person in order to avoid a hazard.
- Please according to local regulations regarding disposal of the appliance for its flammable blowing gas. Before you scrap the appliance, please take off the doors to prevent children trapped.
- This appliance is intended to be used in household and similar applications such as:
  - Staff kitchen areas in shops, offices and other working environments.
  - Farm houses and by clients in hotels, motels and other residential type environments.
  - Catering and similar non-retail applications.
- The appliance shall not be installed in public corridors or lobbies.
- The appliance is to be installed in accordance with the Safety Standard for Refrigeration Systems, ANSV

# Safety and Warranty

---

ASHRAE 15.

- Check that cabling will not be subject to wear, corrosion, excessive pressure, vibration, sharp edges, or any other adverse environmental effects. The check shall also take into account the effects of aging or continual vibration from sources such as compressors or fans.
- Before carrying out Decommissioning procedure, it is essential that the technician is completely familiar with the equipment and all its detail. It is recommended good practice that all refrigerants are recovered safely. Prior to the task being carried out, an oil and refrigerant sample shall be taken in case analysis is required prior to re-use of recovered refrigerant. It is essential that electrical power is available before the task is commenced.
- When removing refrigerant from a system, either for servicing or decommissioning, it is recommended good practice that all refrigerants are removed safely.
- The recovery equipment shall be in good working order with a set of instructions concerning the equipment that is at hand and shall be suitable for the recovery of all appropriate refrigerants including, when applicable, FLAMMABLE REFRIGERANTS.
- The recovered refrigerant shall be returned to the refrigerant supplier in the correct recovery cylinder, and the relevant waste transfer note arranged. Do not mix refrigerants in recovery units and especially not in cylinders.
- The maximum loading of each type of shelf is 8kg.
- All maintenance staff and others working in the local area shall be instructed on the nature of work being carried out. Work in confined spaces shall be avoided.
- If any hot work is to be conducted on the refrigerating equipment or any associated parts, appropriate fire extinguishing equipment shall be available on hand. A dry chemical or CO<sub>2</sub> fire extinguisher should be adjacent to the charging area.
- No person carrying out work in relation to a REFRIGERATING SYSTEM which involves exposing any pipe work shall use any sources of ignition in such a manner that it may lead to the risk of fire or explosion. All possible ignition sources, including cigarette smoking, should be kept sufficiently far away from the site of installation, repairing, removing and disposal, during which refrigerant can possibly be released to the surrounding space. Prior to work taking place, the area around the equipment shall be surveyed to make sure that there are no flammable hazards or ignition risks. "No Smoking" signs shall be displayed.
- Checking for presence of refrigerant, The area shall be checked with an appropriate refrigerant detector prior to and during work, to ensure the technician is aware of potentially toxic or flammable atmospheres. Ensure that the leak detection equipment being used is suitable for use with all applicable refrigerants, i.e., no spark, adequately sealed, or intrinsically safe.
- Ensure that the area is in the open or that it is adequately ventilated before breaking into the system or conducting any hot work. A degree of ventilation shall continue during the period that the work is carried out. The ventilation should safely disperse any released refrigerant and preferably expel it externally into the atmosphere.
- Where electrical components are being changed, they shall be fit for the purpose and to the correct specification. At all times, the manufacturer's maintenance and service guidelines shall be followed. If in doubt, consult the manufacturer's technical department for assistance.
- Detection of flammable refrigerants: under no circumstances shall potential sources of ignition be used in the searching for or detection of refrigerant leaks. A halide torch (or any other detector using a naked flame) shall not be used.



# Safety and Warranty

---

## CAUTION FOR USING

1. Unpack all packages before using the cooler. Don't slant it over more than 60°, while moving it.
2. When initial operation, the cooler should run empty about two hours before storing food in it.
3. The thermostat could adjust the temperature inside the cooler. When you turn the knob in clockwise, the bigger the figure, the lower the temperature. Generally, the position of '3-4' is suitable. 'MAX' position may be stopped.
4. To save energy, the door should not be frequently opened or left open for a long time.
5. The surface and the inside of the cooler should be dry and clean. Long term moisture will cause the cooler rust slowly. (There will be some stains on the surface.)
6. Periodical cleaning is suggested for your reference. Generally, 30-45 days once is the best. When cleaning, it is best to wipe the inside and the surface of the cooler with a soft cloth with neutral soap or detergent.

**RESIDENTIAL USERS: vendor assumes no liability for parts or labor coverage for component failure or other damages resulting from installation in non-commercial or residential applications. The right is reserved to deny shipment for residential usage; if this occurs, you will be notified as soon as possible.**

## **2 YEARS PARTS AND LABOR / 5 YEARS PARTS ONLY ON COMPRESSOR WARRANTY**

Within the warranty period, contact Omcan Inc. at 1-800-465-0234 to schedule an Omcan authorized service technician to repair the equipment locally.

Unauthorized maintenance will void the warranty. Warranty covers electrical and part failures, not improper use.

Please see <https://omcan.com/disclaimer> for complete info.

## **WARNING:**

The packaging components are classified as normal solid urban waste and can therefore be disposed of without difficulty.

**In any case, for suitable recycling, we suggest disposing of the products separately (differentiated waste) according to the current norms.**

**DO NOT DISCARD ANY PACKAGING MATERIALS IN THE ENVIRONMENT!**

# Technical Specifications

Item Number	47460	47586	47563	48664
Model	RE-CN-305	RE-CN-215	RE-CN-145	RE-CN-0810
Volume	285 L / 10.06 cu.ft.	217 L / 7.66 cu.ft.	140 L / 4.94 cu.ft.	823 L / 29.06 cu.ft.
Door Frame	PVC			
Refrigerant	R600a			R290
Temperature Range	0 - 10°C / 32 - 50°F			
Max Ambient Temp Rating	24°C / 75°F			
Electrical	110-120V / 60Hz / 1			
Cooling System	Air Forced / Ventilated / No Frost			Ventilated
Lock/Key	Yes			Optional
Side LED Light	Yes			
Casters	Yes			
Number of Doors	1			2
Number of Shelves	4	3		8
Dimensions	22.6" x 20.7" x 71.3" 575 x 525 x 1810mm	21.1" x 20.7" x 62.2" 535 x 525 x 1580mm	16.5" x 20.7" x 56.3" 420 x 525 x 1430mm	46.9" x 26" x 79.5" 1190 x 660 x 2020mm
Packaging Dimensions	25.8" x 22.8" x 73.3" 655 x 580 x 1863mm	24.2" x 22.8" x 64.3" 615 x 580 x 1633mm	19.7" x 22.8" x 58.4" 500 x 580 x 1483mm	50" x 28.9" x 84.1" 1270 x 735 x 2135mm
Weight	130.1 lbs. / 59 kgs.	114.6 lbs. / 52 kgs.	92.6 lbs. / 42 kgs.	313.1 lbs. / 142 kgs.
Packaging Weight	143.3 lbs. / 65 kgs.	125.7 lbs. / 57 kgs.	101.4 lbs. / 46 kgs.	363.8 lbs. / 165 kgs.

## Installation

### TRANSPORTATION

1. Take out packing and clean all the cabinet using warm water together with 5% of neutral soap then dry it with a soft-cloth; for the glass parts only use specific products, avoiding the use of water which can leave on the glass limestone residues.
2. Keep a distance from the wall of 10 cm at least. Please level the unit by settling the adjustable feet.
3. Cabinet must be installed on a perfectly even surface, far away from any heat source included sun ray.
4. Do not install the unit in open places and do not expose it to rain.

### CHOOSING THE INSTALLATION LOCATION

The unit is for indoor application only. Due to the fact that the unit has a glass door, its performance is highly influenced by environmental conditions. To minimize the environmental effects on the unit's performance, the following are recommended:

- The unit is not to be placed near any kind of heat source.
- The unit is not to be placed near or inside air streams produced by ventilation fans, open doors and/ or windows.
- The unit is not to be situated under a roof-mounted ventilation system.
- The unit should have sufficient space to 'breathe' (always use the rear space to ensure minimum

# Installation

clearance).

- The unit should not be placed under direct sunlight.
- Keep all ventilation openings in the appliance enclosure or in the structure clear of obstruction.
- In order to reduce fire hazard, the installation of this appliance must be carried out only by a suitably qualified person.

## LEVELING THE UNIT

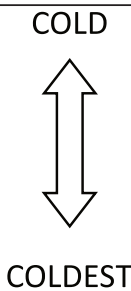
Place the unit at the chosen location. Using a spirit level, check whether the unit is leveled in both directions. The spirit level can be placed on one of the shelves. It is essential that the unit is leveled during operation so as to avoid possible ice formation on the evaporator's fins due to insufficient drainage of the condensates. Tilt unit by 2° angle for easy closing of door and drain.

- Do not insert cream or spray bottles inside the cooler.
- Do not store explosive substances such as aerosol cans with flammable propellant in the cooler.

# Operation

## OPERATION OF THE TEMPERATURE CONTROL KNOB

1. The temperature inside the cabinet can be controlled with the temperature control knob.
2. The knob should be kept upright normally to adjust the temperature.
3. If the temperature control knob is hard to move to its original setting, coins or other tools can be inserted into the groove to move.

	Stop	Product will cease to work.
	1	
	2	When the user does not need a colder temperature.
	3	
	4	When in normal use.
	5	
	6	When the user needs a colder temperature.
MAX	When the user needs a coldest temperature.	

**Note: the cooler should not work more than 24 hours in coldest function MAX, please turn the knob back to 4 in time.**

# Maintenance

**Caution:** to ensure safety, the power plug must be pulled out before cleaning.

## CLEANING OF THE UNIT

For cleaning the unit's internal plastic parts, use a light solution of soap and water. Do not apply hard chemical detergents on the plastics as they may lose their brightness or even get deformed. The same applies to the external metallic surfaces. The use of hard chemicals could harm the painting of the metallic surfaces, thus affecting the sanitary protection of the unit.

# Troubleshooting

Problem	Possible Cause	Solution
Lamp not lighting.	Fuse breaking off.	Change fuse.
	Poor connection between the plug and socket.	Repair or change socket.
	Lamp has poor contact or worn down.	Tighten the connection or change a new lamp.
	Lamp switch has poor contact.	Tighten the connection or change a new switch.
Condenser fan not running.	Condenser fan broken down.	Change condenser fan.
	Thermostat is not set to the work position.	Revolve the thermostat knob to the operating position.
	Thermostat terminal is not connected properly.	Reconnect the terminal.
	The thermostat is worn down.	Change the thermostat.
Continuous operation.	Open the door too frequently.	Open the door as little as possible.
	Too much storage.	Take out part of the storage.
	Leakage of refrigerant.	Repair at a qualified service center.
	Thermostat does not work properly.	Change the thermostat.
Unit noisy.	Cooler isn't placed levelly.	Adjust the wheels.
	Fixing screws of compressor or condenser are loose.	Tighten the screws.
	Compressor or fan defective.	Ask help of professional to repair.
Condenser fan is working, but the compressor doesn't operate.	The plug of starter or heat relay is loose.	Install the starter or heat relay.
	Compressor defective.	Change new compressor.
	Voltage is lower than 97V or higher than 130V.	Use a voltage stabilizer.
Evaporator fan not running.	Fan switch defective.	Change the switch.
	Fan switch terminal is not connected properly.	Connect the switch terminal or change a new terminal.

# Troubleshooting

---

**Notice: the following are not trouble but common phenomenon:**

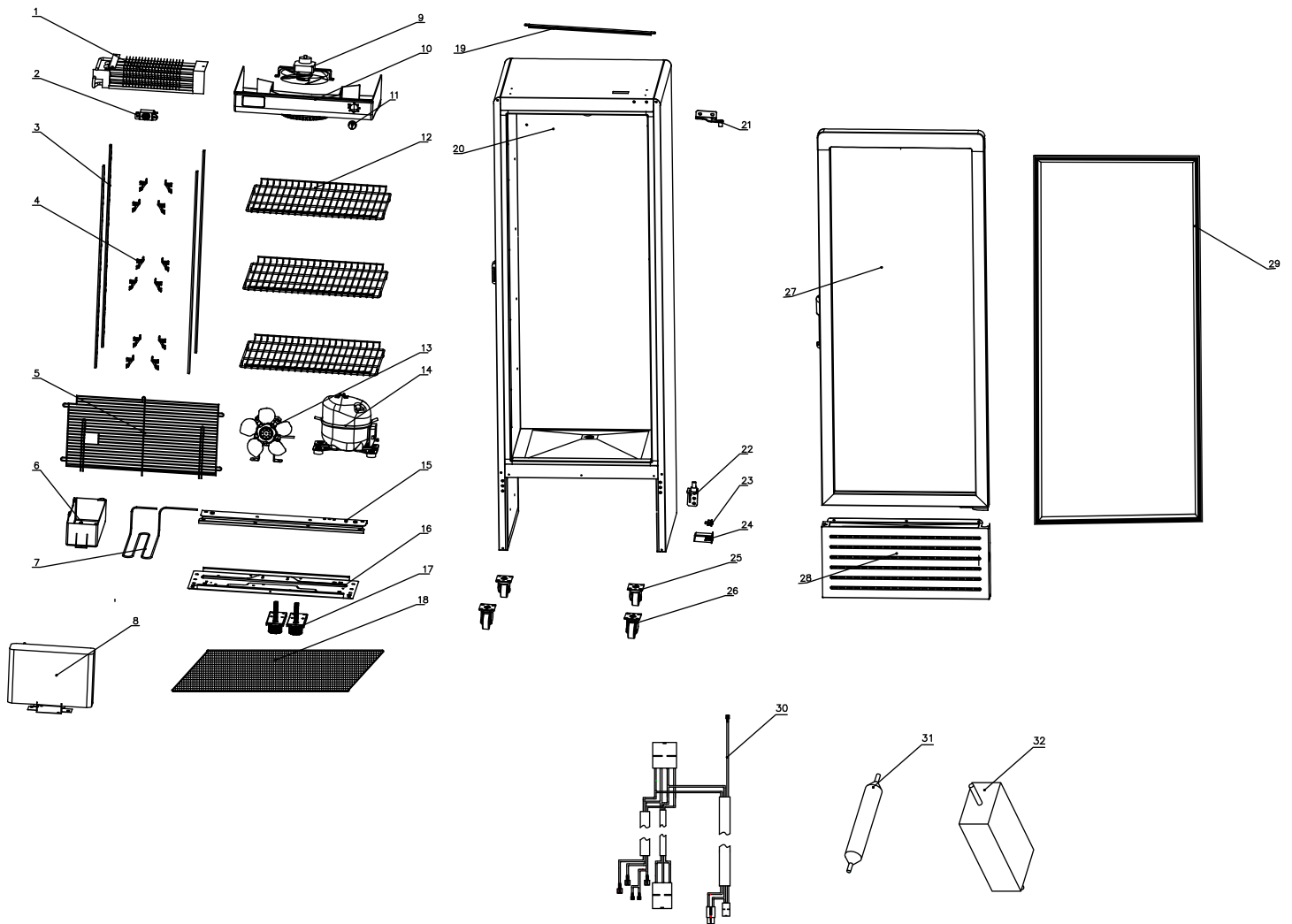
1. Sound, the refrigerant flows inside the cooler.
2. Compressor and condenser become hot.
3. If the ambient humidity is high, there may be dewdrop on the surface, please use soft and dry cloth to clean in time.

# Parts Breakdown

**Model RE-CN-305** 47460

**Model RE-CN-215** 47586

**Model RE-CN-145** 47563



# Parts Breakdown

## Model RE-CN-305 47460

Item No.	Description	Position	Item No.	Description	Position	Item No.	Description	Position
AN229	EVAPORATOR FOR 47460	1	AN239	KNOB FOR 47460	11	AN249	SWITCH COVER FOR 47460	24
AN230	THERMOSTAT FOR 47460	2	AN272	SHELF FOR 47460	12	AN266	SWIVEL CASTOR FOR 47460	25
AN270	RACK FOR 47460	3	AN241	CONDENSER FAN FOR 47460	13	AN251	FIXED CASTOR FOR 47460	26
AN232	CLIP FOR 47460	4	AN273	COMPRESSOR FOR 47460	14	AN277	GLASS DOOR FOR 47460	27
AN271	COMPRESSOR COVER (WIRE STEEL) FOR 47460	5	AN274	COMPRESSOR PLATE FOR 47460	15	AN278	FRONT COVER OF BOTTOM FOR 47460	28
AN259	WATER STORAGE BOX FOR 47460	6	AN244	ADJUSTABLE FOOT FOR 47460	17	AN279	DOOR SEAL FOR 47460	29
AN260	CONDENSATE EVAPORATION PIPE FOR 47460	7	AN275	LED LIGHT FOR 47460	19	AN255	POWER CORD FOR 47460	30
AN236	CONDENSER FOR 47460	8	AN246	UPPER HINGE FOR 47460	21	AN256	FILTER FOR 47460	31
AN237	EVAPORATOR FAN FOR 47460	9	AN247	LOWER HINGE FOR 47460	22	AN257	ADAPTER FOR 47460	32
AN261	TOP FAN COVER FOR 47460	10	AN248	SWITCH FOR 47460	23			

## Model RE-CN-215 47586

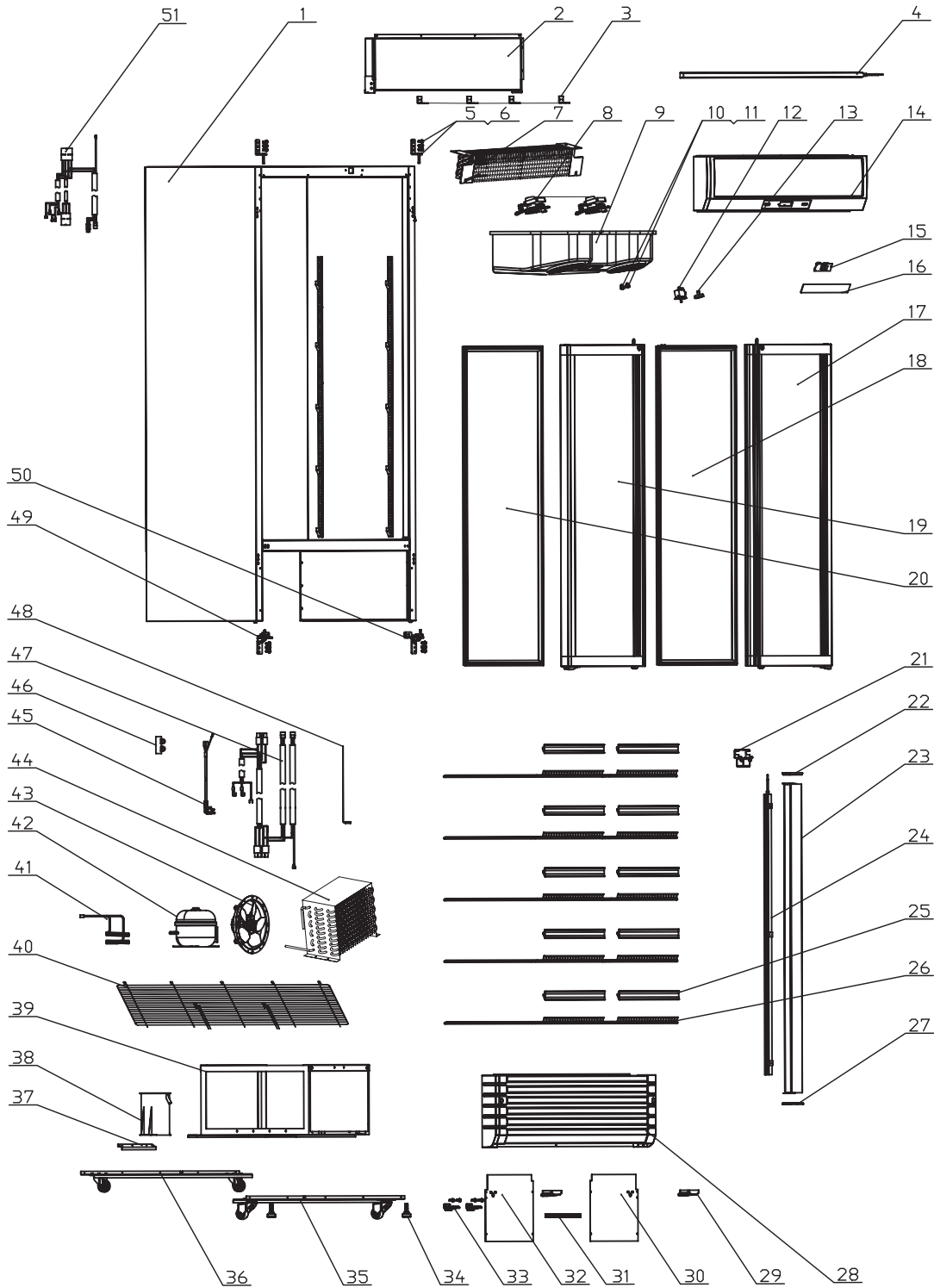
Item No.	Description	Position	Item No.	Description	Position	Item No.	Description	Position
AN229	EVAPORATOR FOR 47586	1	AN239	KNOB FOR 47586	11	AN249	SWITCH COVER FOR 47586	24
AN230	THERMOSTAT FOR 47586	2	AN262	SHELF FOR 47586	12	AN266	SWIVEL CASTOR FOR 47586	25
AN231	RACK FOR 47586	3	AN241	CONDENSER FAN FOR 47586	13	AN251	FIXED CASTOR FOR 47586	26
AN232	CLIP FOR 47586	4	AN263	COMPRESSOR FOR 47586	14	AN267	GLASS DOOR FOR 47586	27
AN258	COMPRESSOR COVER (WIRE STEEL) FOR 47586	5	AN264	COMPRESSOR PLATE FOR 47586	15	AN268	FRONT COVER OF BOTTOM FOR 47586	28
AN259	WATER STORAGE BOX FOR 47586	6	AN244	ADJUSTABLE FOOT FOR 47586	17	AN269	DOOR SEAL FOR 47586	29
AN260	CONDENSATE EVAPORATION PIPE FOR 47586	7	AN265	LED LIGHT FOR 47586	19	AN255	POWER CORD FOR 47586	30
AN236	CONDENSER FOR 47586	8	AN246	UPPER HINGE FOR 47586	21	AN256	FILTER FOR 47586	31
AN237	EVAPORATOR FAN FOR 47586	9	AN247	LOWER HINGE FOR 47586	22	AN257	ADAPTER FOR 47586	32
AN261	TOP FAN COVER FOR 47586	10	AN248	SWITCH FOR 47586	23			

## Model RE-CN-145 47563

Item No.	Description	Position	Item No.	Description	Position	Item No.	Description	Position
AN229	EVAPORATOR FOR 47563	1	AN239	KNOB FOR 47563	11	AN249	SWITCH COVER FOR 47563	24
AN230	THERMOSTAT FOR 47563	2	AN240	SHELF FOR 47563	12	AN266	SWIVEL CASTOR FOR 47563	25
AN231	RACK FOR 47563	3	AN241	CONDENSER FAN FOR 47563	13	AN251	FIXED CASTOR FOR 47563	26
AN232	CLIP FOR 47563	4	AN242	COMPRESSOR FOR 47563	14	AN252	GLASS DOOR FOR 47563	27
AN233	COMPRESSOR COVER (WIRE STEEL) FOR 47563	5	AN243	COMPRESSOR PLATE FOR 47563	15	AN253	FRONT COVER OF BOTTOM FOR 47563	28
AN234	WATER STORAGE BOX FOR 47563	6	AN244	ADJUSTABLE FOOT FOR 47563	17	AN254	DOOR SEAL FOR 47563	29
AN235	CONDENSATE EVAPORATION PIPE FOR 47563	7	AN245	LED LIGHT FOR 47563	19	AN255	POWER CORD FOR 47563	30
AN236	CONDENSER FOR 47563	8	AN246	UPPER HINGE FOR 47563	21	AN256	FILTER FOR 47563	31
AN237	EVAPORATOR FAN FOR 47563	9	AN247	LOWER HINGE FOR 47563	22	AN257	ADAPTER FOR 47563	32
AN238	TOP FAN COVER FOR 47563	10	AN248	SWITCH FOR 47563	23			

# Parts Breakdown

**Model RE-CN-0810** 48664



# Parts Breakdown

## Model RE-CN-0810 48664

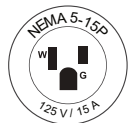
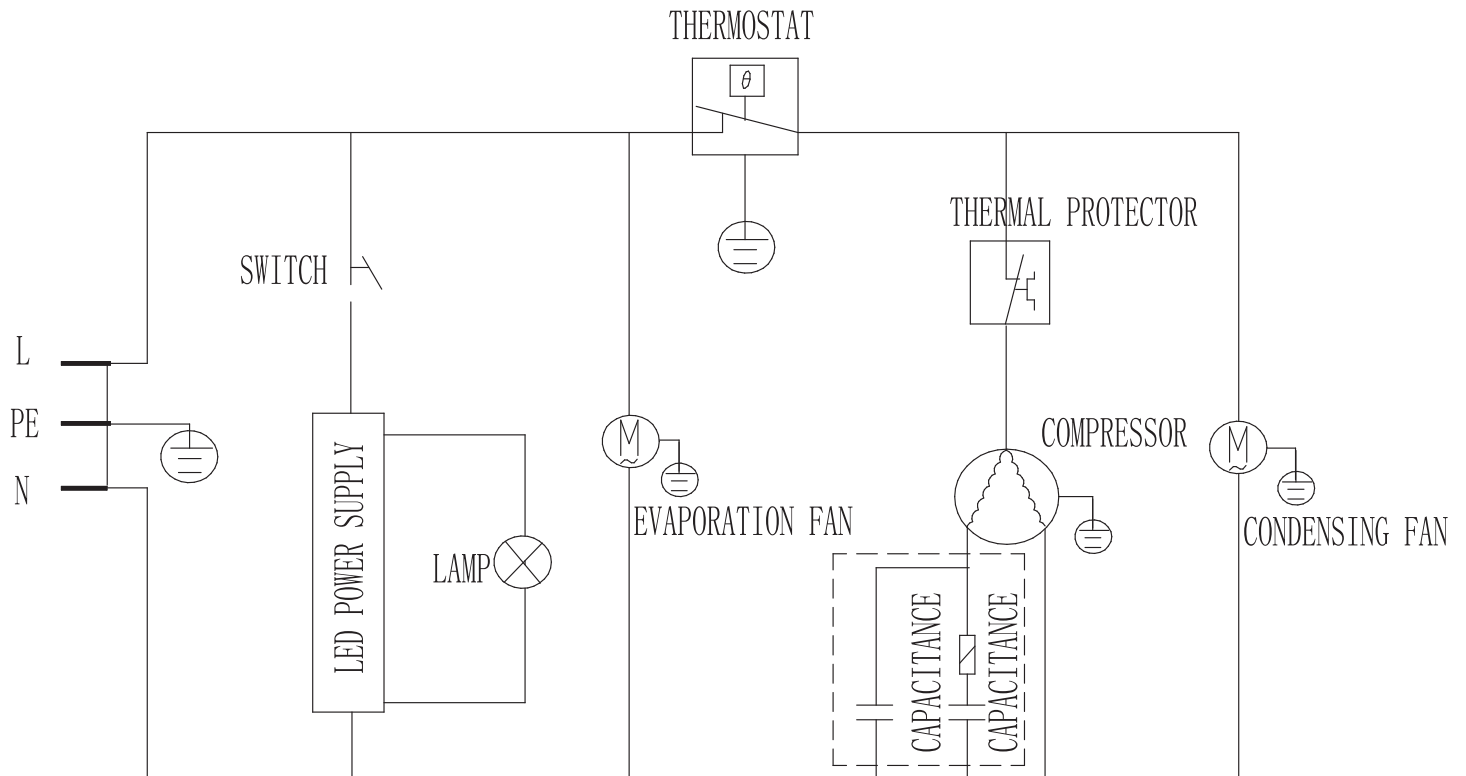
Item No.	Description	Position	Item No.	Description	Position	Item No.	Description	Position
AU942	FRONT PANEL ASSEMBLY FOR 48664	2	AU952	DOOR SEAL FOR 48664	18, 20	AU961	COMPRESSOR FOR 48664	42
AU943	LIGHT BOX LED LIGHT FOR 48664	4	AU953	LEFT DOOR ASSEMBLY FOR 48664	19	AU962	WIRE CONDENSER FOR 48664	43
AU944	UPPER HINGE FOR 48664	5	AU954	MIDDLE BEAM ELECTRICAL BOX FOR 48664	21	AU963	CONDENSER FAN FOR 48664	44
AU945	FIN EVAPORATOR FOR 48664	7	AU955	RACK DECORATION STRIP FOR 48664	25	AU964	POWER CORD FOR 48664	45
AU946	EVAPORATOR FAN FOR 48664	8	AU956	WIRE RACK FOR 48664	26	AU965	INTERNAL WIRING FOR 48664	47
AU947	TRAY FOR 48664	9	AU957	FRONT DECORATION PANEL ASSEMBLY FOR 48664	28	AU966	SENSOR FOR 48664	48
AU948	MAIN CONTROL BOARD FOR 48664	12	AN244	ADJUSTABLE FOOT FOR 48664	34	AU967	LOWER LEFT HINGE ASSEMBLY FOR 48664	49
AU949	COMPLETE LIGHT BOX ASSEMBLY FOR 48664	14	AU958	WATER STORAGE TANK SUPPORT PLATE FOR 48664	38	AU968	LOWER RIGHT HINGE ASSEMBLY FOR 48664	50
AU950	TEMPERATURE DISPLAY PANEL FOR 48664	15, 16	AU959	WIRE REAR COVER FOR 48664	40	AU969	TEMPERATURE CONTROL WIRING ASSEMBLY FOR 48664	51
AU951	RIGHT DOOR ASSEMBLY FOR 48664	17	AU960	WATER REMOVAL CONDENSER PIPE FOR 48664	41			

# Electrical Schematics

**Model RE-CN-305** 47460

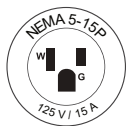
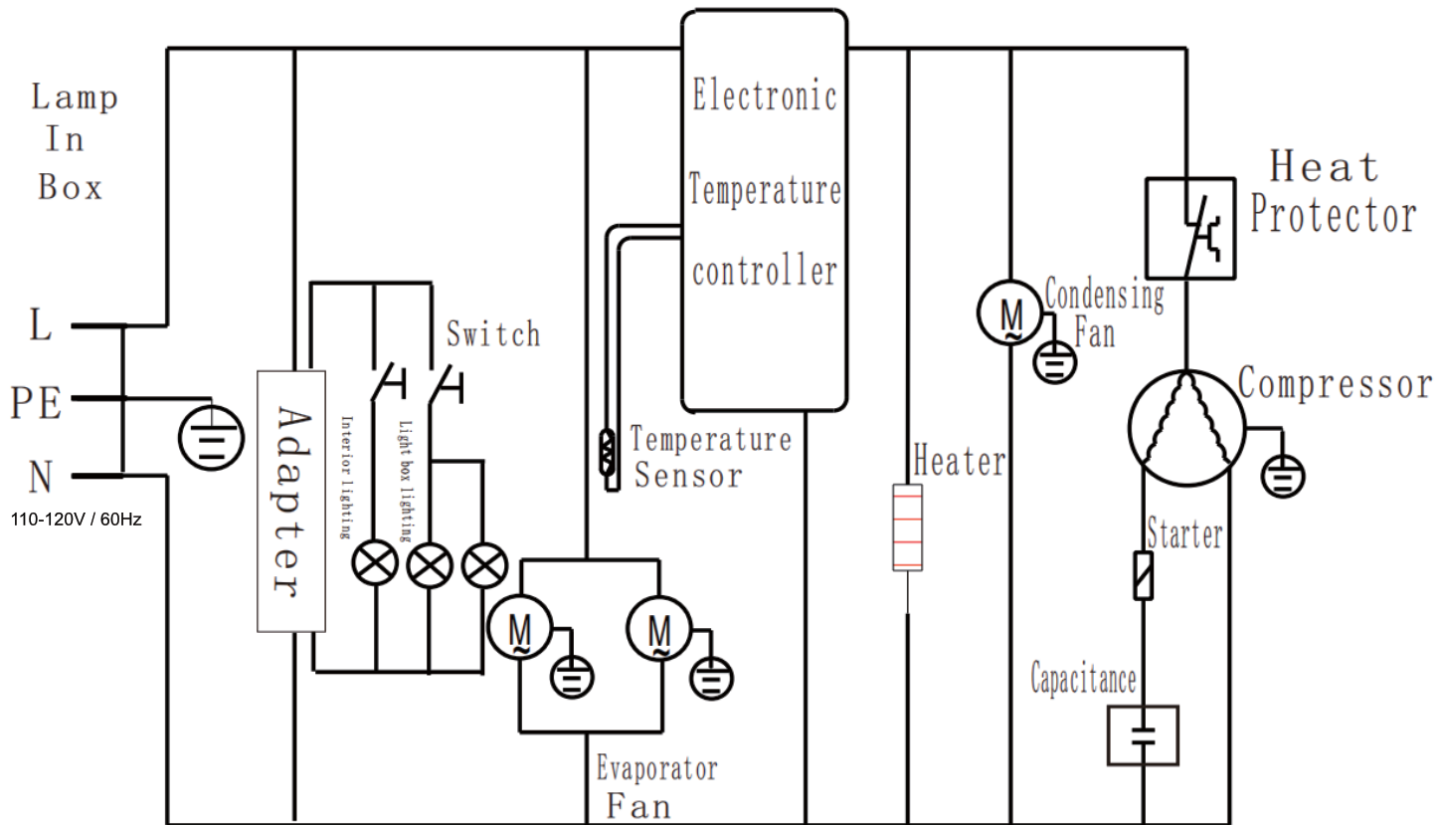
**Model RE-CN-215** 47586

**Model RE-CN-145** 47563



# Electrical Schematics

**Model RE-CN-0810** 48664











# Warranty Registration

Thank you for purchasing an Omcan product. To register your warranty for this product, complete the information below, tear off the card at the perforation and then send to the address specified below. You can also register online by visiting:

Merci d'avoir acheté un produit Omcan. Pour enregistrer votre garantie pour ce produit, complétez les informations ci-dessous, détachez la carte au niveau de la perforation, puis l'envoyer à l'adresse spécifiée ci-dessous. Vous pouvez également vous inscrire en ligne en visitant:

Gracias por comprar un producto Omcan usted. Para registrar su garantía para este producto, complete la información a continuación, cortar la tarjeta en la perforación y luego enviarlo a la dirección indicada a continuación. También puede registrarse en línea en:

<https://omcan.com/warranty-registration/>

For mailing in Canada

Pour postale au Canada

Por correo en Canadá

For mailing in the US

Pour diffusion aux États-Unis

Por correo en los EE.UU.

**OMCAN**

PRODUCT WARRANTY REGISTRATION

3115 Pepper Mill Court,  
Mississauga, Ontario  
Canada, L5L 4X5

**OMCAN**

PRODUCT WARRANTY REGISTRATION

4450 Witmer Industrial Estates, Unit 4,  
Niagara Falls, New York  
USA, 14305

*or email to: [service@omcan.com](mailto:service@omcan.com)*



Purchaser's Information

Name: \_\_\_\_\_

Address: \_\_\_\_\_

City: \_\_\_\_\_ Province or State: \_\_\_\_\_ Postal or Zip: \_\_\_\_\_

Country: \_\_\_\_\_

Dealer from which Purchased: \_\_\_\_\_

Dealer City: \_\_\_\_\_ Dealer Province or State: \_\_\_\_\_

Invoice: \_\_\_\_\_

Model Name: \_\_\_\_\_ Model Number: \_\_\_\_\_

Machine Description: \_\_\_\_\_

Date of Purchase (MM/DD/YYYY): \_\_\_\_\_

Would you like to extend the warranty?  Yes  No

Company Name: \_\_\_\_\_

Telephone: \_\_\_\_\_

Email Address: \_\_\_\_\_

Type of Company:

Restaurant  Bakery  Deli

Butcher  Supermarket  Caterer

Institution (*specify*): \_\_\_\_\_

Other (*specify*): \_\_\_\_\_

Serial Number: \_\_\_\_\_

Date of Installation (MM/DD/YYYY): \_\_\_\_\_

**Thank you for choosing Omcan | Merci d'avoir choisi Omcan | Gracias por elegir Omcan**



Since 1951 Omcan has grown to become a leading distributor of equipment and supplies to the North American food service industry. Our success over these many years can be attributed to our commitment to strengthen and develop new and existing relationships with our valued customers and manufacturers. Today with partners in North America, Europe, Asia and South America, we continually work to improve and grow the company. We strive to offer customers exceptional value through our qualified local sales and service representatives who provide convenient access to over 6,500 globally sourced products.

---

Depuis 1951 Omcan a grandi pour devenir un des “leaders” de la distribution des équipements et matériel pour l’industrie des services alimentaires en Amérique du Nord. Notre succès au cours de ces nombreuses années peut être attribué à notre engagement à renforcer et à développer de nouvelles et existantes relations avec nos clients et les fabricants de valeur. Aujourd’hui avec des partenaires en Amérique du Nord, Europe, Asie et Amérique du Sud, nous travaillons continuellement à améliorer et développer l’entreprise. Nous nous efforçons d’offrir à nos clients une valeur exceptionnelle grâce à nos ventes locales qualifiées et des représentants de service qui offrent un accès facile à plus de 6500 produits provenant du monde entier.

---

Desde 1951 Omcan ha crecido hasta convertirse en un líder en la distribución de equipos y suministros de alimentos en América del Norte industria de servicios. Nuestro éxito en estos años se puede atribuir a nuestro compromiso de fortalecer y desarrollar nuevas relaciones existentes con nuestros valiosos clientes y fabricantes. Hoy con socios de América del Norte, Europa, Asia y América del Sur, que trabajan continuamente para mejorar y crecer la empresa. Nos esforzamos por ofrecer a nuestros clientes valor excepcional a través de nuestro local de ventas y representantes de los servicios que proporcionan un fácil acceso a más de 6,500 productos con origen a nivel mundial.

