



SERVING THE FOOD INDUSTRY SINCE 1951

Refrigerated Sushi Showcases with Curve Glass

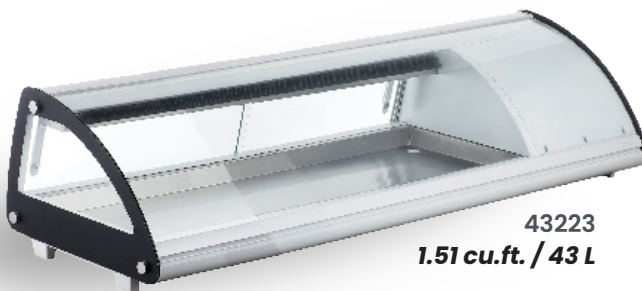
ITEM:	43116	43225	43223
MODEL:	RS-CN-0103-SC	RS-CN-0083-SC	RS-CN-0043-SC



43116
3.63 cu.ft. / 103 L



43225
2.93 cu.ft. / 83 L



43223
1.51 cu.ft. / 43 L

Showcase Your Sushi with Style and Freshness

Omcans refrigerated sushi cases are designed to beautifully showcase a variety of sushi while maintaining freshness and flavor. Perfect for sushi bars and restaurants, these units feature bright top-mounted LED lighting, a convenient upper shelf for extra storage, and a front flat glass for a clear view. The digital temperature controller ensures optimal cooling, while sliding doors and a direct cooling system make operation easy and efficient. Compatible with optional GN pans.

FEATURES:

- Front flat glass
- Sliding doors
- Direct cooling system
- GN pan can be ordered
- Brilliant Internal LED illumination on top
- Additional non-refrigerated upper shelf for storage
- Digital temperature controller & display

Telephone: 1-800-465-0234

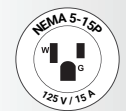
Fax: (905) 607-0234

Email: sales@omcan.com

Website: www.omcan.com



Authorized Dealer



Made in China

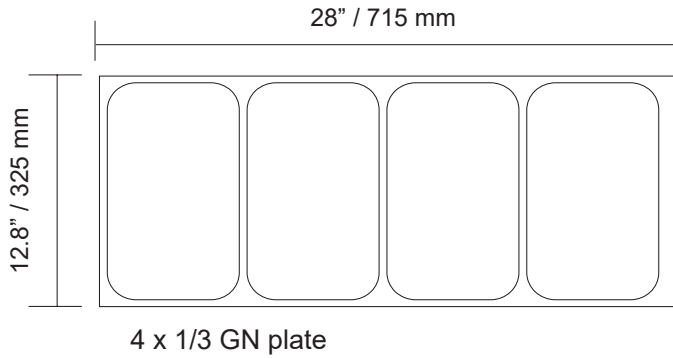
(Version 2026.01)

Page 1 / 3

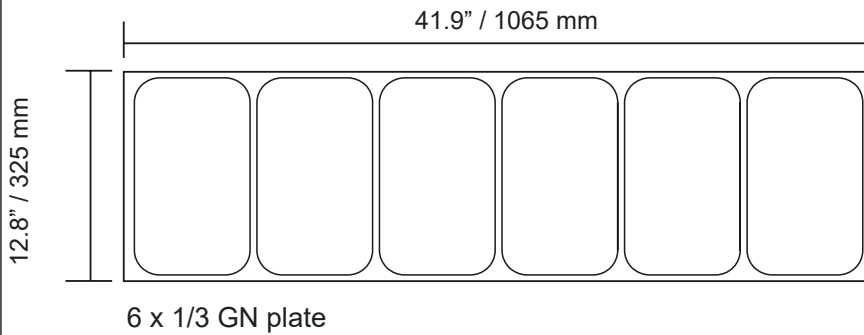
TECHNICAL SPECIFICATION			
Features	45" Wide/ 1.51 cu.ft. / 43 L capacity	58" wide/ 2.93 cu.ft. / 83 L capacity	69" wide/ 3.63 cu.ft. / 103 L Capacity
Item	43223	43225	43116
Model	RS-CN-0043-SC	RS-CN-0083-SC	RS-CN-0103-SC
Capacity	1.51 cu.ft. / 43 L	2.93 cu.ft. / 83 L	3.63 cu.ft. / 103 L
Number of Doors	2 Sliding Doors	2 Sliding Doors	2 Sliding Doors
Number of Pans	4 x 1/3 GN	6 x 1/3 GN	5 x 1/2 GN
Power	160 W	160 W	160 W
Lamp Quantity	3	3	1
Lamp Power	3.2 W x 3	3.2 W x 3	5.8 W
Current	1.4 A	1.4 A	1.6 A
Electrical	110 V / 60 Hz / 1 Ph		
Temperature Range	12 to 0°C / 54 to 32°F		
Refrigerant	R290		
Injection	30 g		
Insulation Material	Premixed Polyols		
Interior Dimensions (WDH)	29" x 15" x 7.5" / 744 x 382 x 192 mm	41.7" x 15" x 7.5" / 1096 x 382 x 192 mm	54" x 15" x 7" / 1367 x 382 x 192 mm
Net Weight	72.8 lb / 33 kg	86 lb / 39 kg	97 lb / 44 kg
Net Dimensions (WDH)	44.5" x 17.7" x 13" / 1131 x 450 x 330 mm	58.4" x 17.7" x 13" / 1483 x 450 x 330 mm	69" x 17.7" x 13" / 1754 x 450 x 330 mm
Plug Type	NEMA 5-15P		

TECHNICAL DRAWING

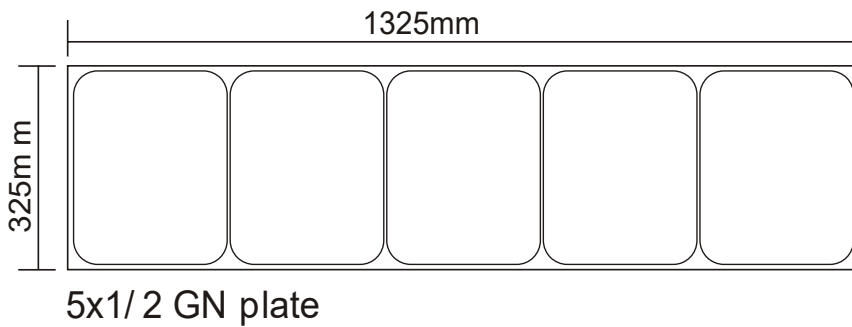
Item: 43223 / 45" / 43 L



Item: 43225 / 58" / 83 L



Item: 43116 / 69" / 103 L



all sushi showcases

