



SERVING THE FOOD INDUSTRY SINCE 1951

Commercial Electric Range with Burners and Standard Oven

ITEM:	48553	49169	49170	49171
MODEL:	CE-CN-ER24 208 3	CE-CN-ER24 208 1	CE-CN-ER36 208 1	CE-CN-ER36 208 3

48553/49169



These commercial ranges are versatile addition to any professional kitchen.

These electric ranges feature 4 or 6 Round Hot-Plate Burners and a Standard Oven, delivering a total of Ideal for high-demand environments, ensuring efficient cooking and consistent results.

49170/49171



FEATURES:

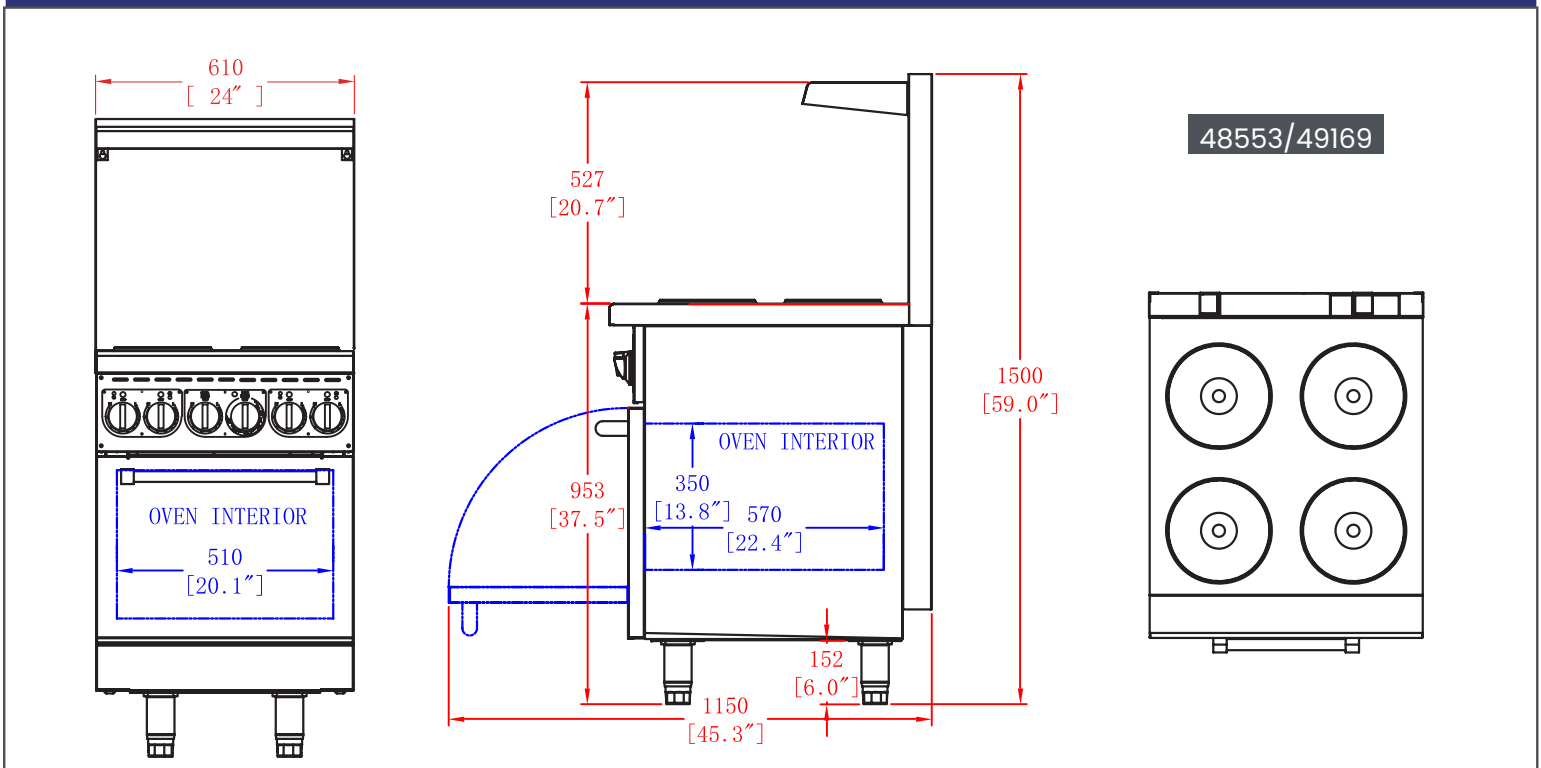
- Stainless steel exterior
- 9" round heat plates, 2 kW input per plate
- Thermostat 65.5-287.7°C (150-550°F) controlled oven
- Top and bottom heating elements
- Welded frame structure for best stability
- Porcelain coated interior sides & bottom
- Adjustable heavy-duty legs
- A pull-out crumb tray with an angled handle in the front
- Stainless steel oven door with good insulation
- Stainless steel handle for bottom oven



TECHNICAL SPECIFICATION

Features	4 Burners, 3Ph	4 Burners, 1Ph	6 Burners, 1Ph	6 Burners, 3Ph
Item	48553	49169	49170	49171
Model	CE-CN-ER24 208 3	CE-CN-ER24 208 1	CE-CN-ER36 208 1	CE-CN-ER36 208 3
Type	Electric			
Power	13 kW	13 kW	17 kW	17 kW
Amps	37.5A	62.5A	81.7A	54.1A
Electrical	208V / 60Hz / 3Ph	208V / 60Hz / 1Ph	208V / 60Hz / 1Ph	208V / 60Hz / 3Ph
Number of Burners	4	4	6	6
Temperature Range	65.5 - 287.7°C (150 - 550°F)			
Burner Dimension	9" (229 mm)			
Interior Dimensions (WDH)	20" x 22.4" x 13.8" (508 x 569 x 350.5 mm)	20" x 22.4" x 13.8" (508 x 569 x 350.5 mm)	25.8" x 22.4" x 13.8" (655.3 x 569 x 350.5 mm)	25.8" x 22.4" x 13.8" (655.3 x 569 x 350.5 mm)
Net Weight	227 lb. (103 kg)	227 lb. (103 kg)	319 lb. (145 kg)	319 lb. (145 kg)
Net Dimensions (WDH)	24" x 30.8" x 59" (609.6 x 782.3 x 1500 mm)	24" x 30.8" x 59" (609.6 x 782.3 x 1500 mm)	36" x 30.8" x 59" (915 x 782 x 1500 mm)	36" x 30.8" x 59" (915 x 782 x 1500 mm)
Gross Weight	312 lb. (142 kg)	312 lb. (142 kg)	434 lb. (197 kg)	434 lb. (197 kg)
Gross Dimensions (WDH)	27.6" x 36.6" x 43.7" (701 x 929.6 x 1110 mm)	27.6" x 36.6" x 43.7" (701 x 929.6 x 1110 mm)	39.4" x 36.6" x 43.7" (1000 x 930 x 1110 mm)	39.4" x 36.6" x 43.7" (1000 x 930 x 1110 mm)

TECHNICAL DRAWING



TECHNICAL DRAWING

49170/49171

