



SERVING THE FOOD INDUSTRY SINCE 1951

Mega Refrigerated Sandwich/ Salad Prep Table

ITEM:	50049	50129	50050	50051	50130
MODEL:	PT-CN-0711-HC	PT-CN-0920-M-HC	PT-CN-1194-H	PT-CN-1537-HC	PT-CN-1787-M-HC



Optimize your kitchen and maximize efficiency with Refrigerated Prep Tables.

The Mega Refrigerated Sandwich and Salad Prep Table keeps ingredients fresh with a spacious stainless steel work surface and durable cutting board for prep. Heavy-duty casters allow easy mobility, while eco-friendly R290 refrigerant and Polyurethane insulation ensure efficient cooling. Features include a mechanical temperature controller, self-closing doors, plastic-coated shelves, automatic defrost, and a removable door gasket—making it a reliable choice for any professional kitchen.

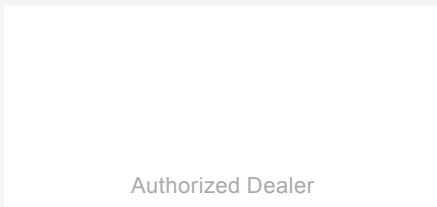
- Wear-resistant black vinyl exterior
- Stainless Steel interior & exterior
- Mechanical Temperature controller
- Removable door gasket
- Plastic coated shelves
- Automatic defrost
- Polyurethane insulation
- Self-closing doors
- Casters for mobility
- 10 mm thick cutting board

Telephone: 1-800-465-0234

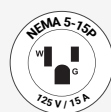
Fax: (905) 607-0234

Email: sales@omcan.com

Website: www.omcan.com



Authorized Dealer



Made in China

(Version 2025.8)

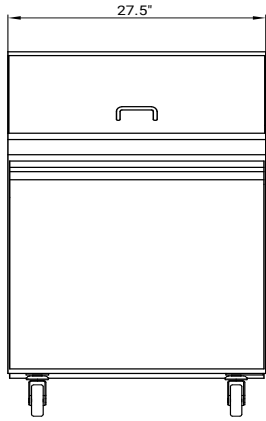
Page 1 / 4

TECHNICAL SPECIFICATION					
Features	28"	36"	47"	60"	71"
Item	50049	50129	50050	50051	50130
Model	PT-CN-0711-HC	PT-CN-0920-M-HC	PT-CN-1194-H	PT-CN-1537-HC	PT-CN-1787-M-HC
Capacity	201 L / 7.1 cu.ft	258 L / 9.1 cu.ft	357 L / 12.6 cu.ft	469 L / 16.6 cu.ft	553 L / 19.5 cu.ft
Number of Doors	1 Self-Closing Door	2 Self-Closing Doors			3 Self-Closing Doors
Number of Shelves	1	2	2	2	3
Power	360 W	430 W	490 W	540 W	780 W
Current	3.6 A	4.3 A	4.9 A	5.4 A	7.8 A
Number of Casters	4	4	4	4	5
Number of Pans	12 x 1/6 GN	15 x 1/6 GN	18 x 1/6 GN	24 x 1/6 GN	30 x 1/6 GN
Shelf Capacity	88 lbs / 40 kgs				
Shelf Material	Plastic Coated				
Electrical	115V / 60Hz / 1Ph				
Temperature Controller	Digital				
Temperature Range	0.5 - 4.4°C / 33 - 40°F				
Refrigerant	R290				
Insulation Material	Polyurethane				
Cooling System	Ventilated				
Defrosting	Automatic				
Interior Dimensions	24" x 19.8" x 23.5" / 615 x 504 x 597 mm	33" x 19.8" x 23.5" / 837 x 504 x 597 mm	43" x 19.8" x 23.5" / 1091 x 504 x 597 mm	56.5" x 19.8" x 23.5" / 1434 x 504 x 597 mm	66.6" x 19.8" x 23.5" / 1691 x 504 x 597 mm
Net Weight	198.4 lbs / 90 kgs	242.5 lbs / 110 kgs	275.6 lbs / 125 kgs	341.7 lbs / 155 kgs	374.8 lbs / 170 kgs
Net Dimensions (WDH)	27.5" x 34" x 45.9" / 698 x 864 x 1166 mm	36" x 34" x 45.9" / 920 x 864 x 1166 mm	46.8" x 34" x 45.9" / 1188 x 864 x 1166 mm	60" x 34" x 45.9" / 1529 x 864 x 1166 mm	70" x 34" x 45.9" / 1787 x 864 x 1166 mm
Gross Weight	251.3 lbs / 114 kgs	308.6 lbs / 140 kgs	370.4 lbs / 168 kgs	427.7 lbs / 194 kgs	577.6 lbs / 262 kgs
Gross Dimensions (WDH)	32.7" x 39" x 49" / 830 x 995 x 1245 mm	41" x 39" x 49" / 1052 x 995 x 1245 mm	52" x 39" x 49" / 1320 x 995 x 1245 mm	65" x 39" x 49" / 1660 x 995 x 1245 mm	75.6" x 39" x 49" / 1920 x 995 x 1245 mm
Plug Type	NEMA 5-15P				

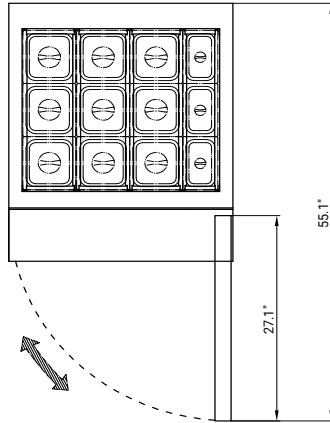
TECHNICAL DRAWING

(Measurements in diagrams are in inches)

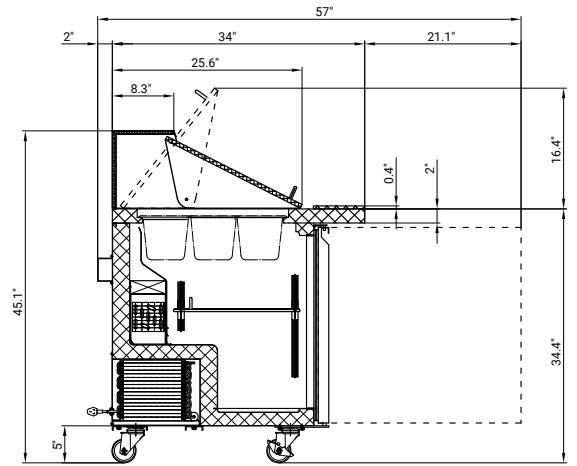
Item: 50049- 28"



FRONT VIEW

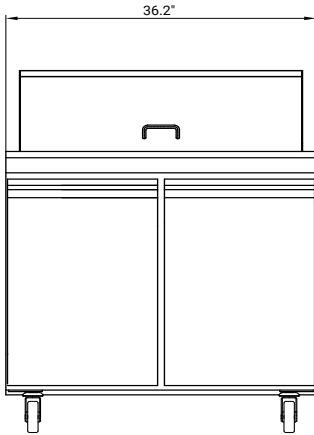


TOP VIEW

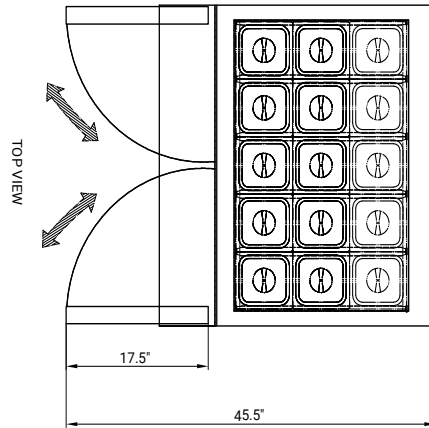


SECTION VIEW

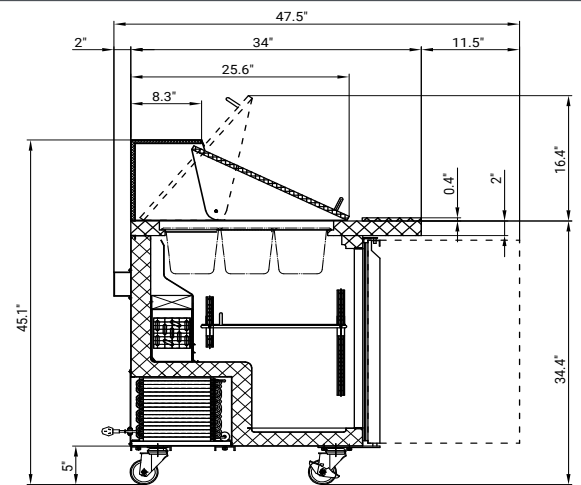
Item: 50129- 36"



FRONT VIEW

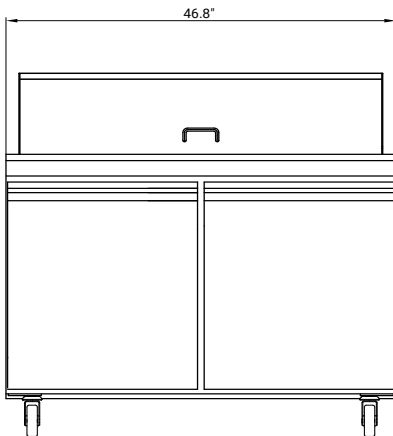


TOP VIEW

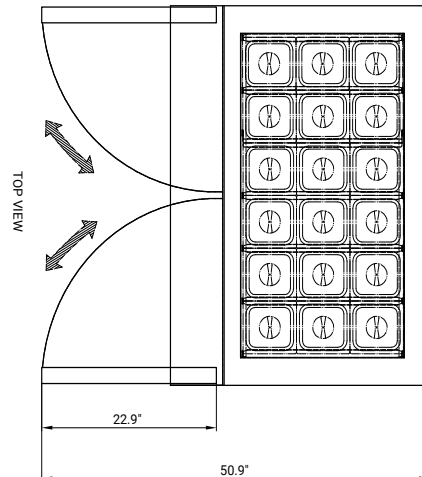


SECTION VIEW

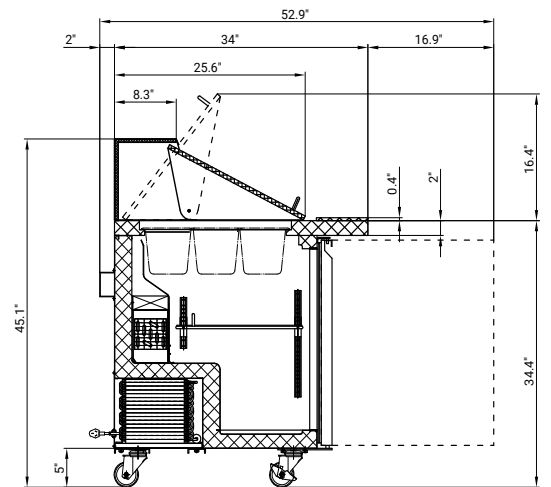
Item: 50050- 47"



FRONT VIEW



TOP VIEW

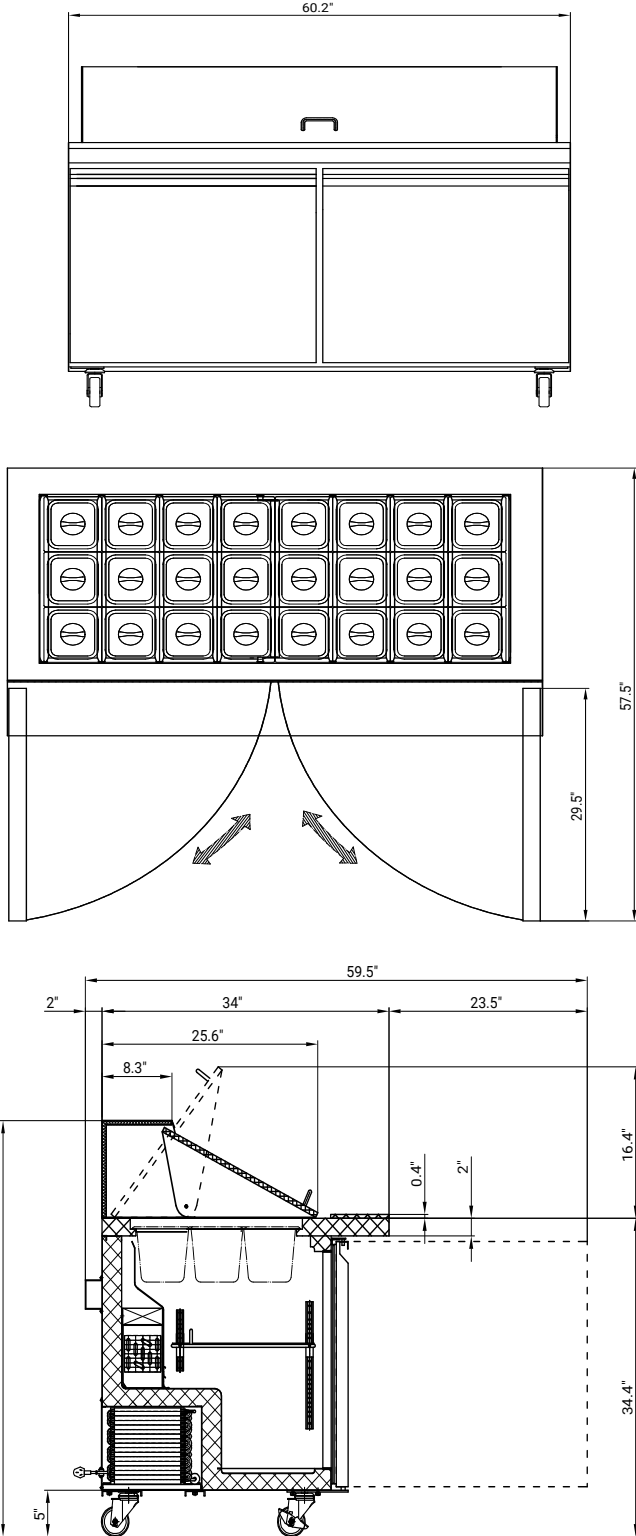


SECTION VIEW

TECHNICAL DRAWING

(Measurements in diagrams are in inches)

Item: 50051- 60"



Item: 50130- 71"

