



PROJECT: \_\_\_\_\_  
 LOCATION: \_\_\_\_\_  
 ITEM#: \_\_\_\_\_  
 QUANTITY: \_\_\_\_\_

**COMPETITOR SERIES®**



**C-U27R-HC**



**C-U36R-HC**



**C-U48R-HC**



**C-U60R-HC**



**C-U72R-HC**

# UNDER-COUNTER/WORK TOP REFRIGERATORS

- Beautiful ergonomic construction & rounded corners
- Digital temperature controller and read-out
- All stainless steel exterior and interior
- Forced air refrigeration system
- Recessed door handles
- Pre-installed casters and shelving
- 90 degree hold open door feature for loading products
- Optional Accessory: Backsplash for Work-Tops for in-the-field installment\*\*, Shorter 3” casters available\*\*\*
- All Natural R290 Hydrocarbon Refrigerant
- US Department of Energy Certified
- Migali® Protection Plan: 2 Year Parts & Labor Warranty, 5 Years Compressor Warranty

MODEL	DOORS	CAPACITY CU/FT	SHELVES	H/P	AMPS	VOLTAGE	ENERGY CONSUMPTION KWH/24 HR	PLUG TYPE	TEMP RANGE	EXTERIOR DIMENSIONS W X D X H*	INTERIOR DIMENSIONS W X D X H	PACKAGED DIMENSIONS W X D X H	WEIGHT	PACKAGED WEIGHT
C-U27R-HC	1	6.5	2	1/7+	2.3	115/60/1	0.83	Nema 5-15P	+33° F (~) +41° F	27.5 x 30 x 34.1	23.9 x 23.6 x 26.7	29 x 32 x 39	137 lbs.	172 lbs.
C-U36R-HC	2	8.7	2	1/7	2.3	115/60/1	1.65	Nema 5-15P	+33° F (~) +41° F	36.3 x 30 x 35.2	32.6 x 23.6 x 26.7	38.5 x 32.3 x 38.2	162 lbs.	212 lbs.
C-U48R-HC	2	12	4	1/7+	2.3	115/60/1	1	Nema 5-15P	+33° F (~) +41° F	48.25 x 30 x 34.1	44.7 x 23.6 x 26.7	50 x 32 x 39	192 lbs.	232 lbs.
C-U60R-HC	2	17.9	4	1/5	2.8	115/60/1	1.2	Nema 5-15P	+33° F (~) +41° F	60.25 x 30 x 34.1	56.7 x 23.6 x 26.7	63 x 32 x 39	219 lbs.	265 lbs.
C-U72R-HC	3	32.8	6	1/5	2.8	115/60/1	1.3	Nema 5-15P	+33° F (~) +41° F	72.7 x 30 x 34.1	56.7 x 23.6 x 26.7	74 x 32 x 39	254 lbs.	316 lbs.

\* Total height includes casters

\*\*Accessories: Stainless Steel Back Splash - BS27 - 27” wide / BS48 - 48” wide / BS60 - 60” wide

\*\*\* Optional 6” casters available - Part # 1759-208

**FOR COMMERCIAL USE ONLY**

NOTE: MIGALI® RESERVES THE RIGHT TO CHANGE SPECIFICATIONS WITHOUT NOTICE

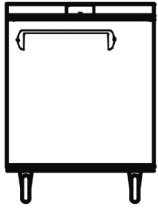


TOLL FREE: 800.852.5292  
 WEB: www.migali.com

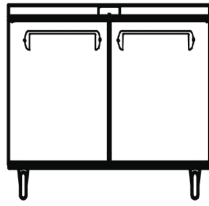


# DIMENSIONAL DRAWINGS

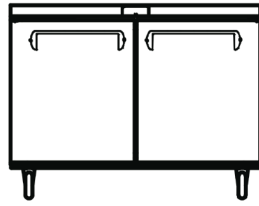
C-U27R-HC



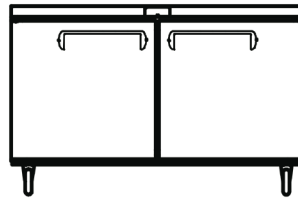
C-U36R-HC



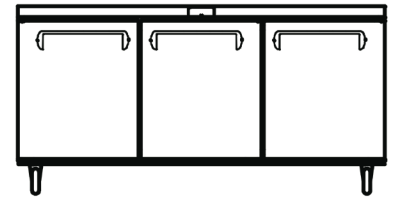
C-U48R-HC



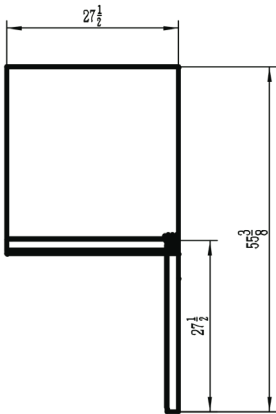
C-U60R-HC



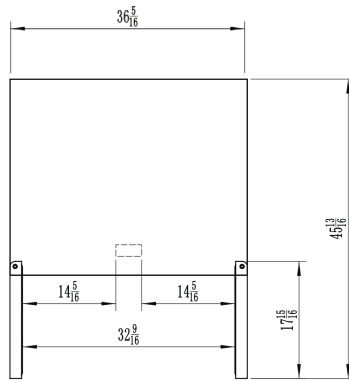
C-U72R-HC



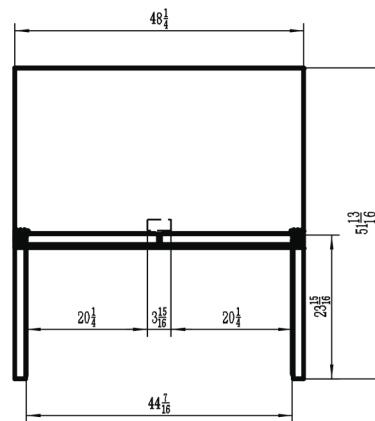
C-U27R-HC  
TOP VIEW



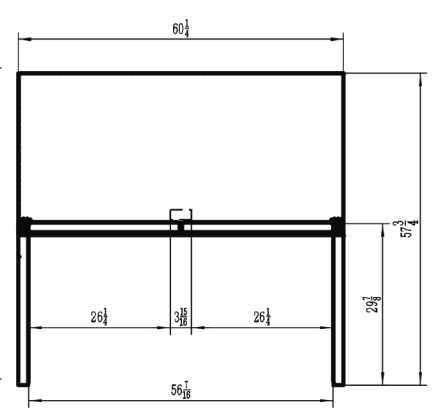
C-U36R-HC  
TOP VIEW



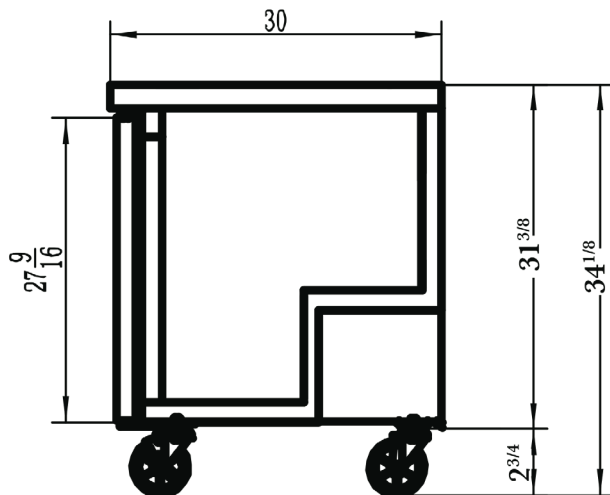
C-U48R-HC  
TOP VIEW



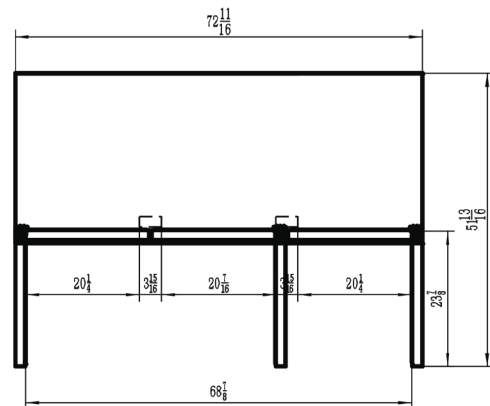
C-U60R-HC  
TOP VIEW



SIDE VIEW (1,2,3) DOOR MODELS



C-U72R-HC  
TOP VIEW



MIGALI® REMAINS AN AMERICAN FAMILY COMPANY SINCE 1955